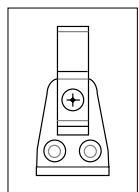


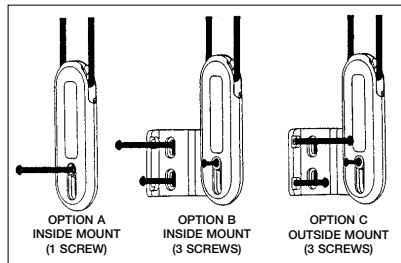
INSTALLING THE CHAIN & CORD TENSIONER

After the blind has been securely mounted to the window, mount the cord tensioner to the reveal of the window opening (inside mount) or to the face of the wall (outside mount). Determine the correct mounting option as shown below.

Important: Locate the tensioner as close to the window as possible to minimise accessibility by children and pets. Ensure the device is secured so that the cords are tensioned while still allowing the blind to be operated.



Chain Tensioner

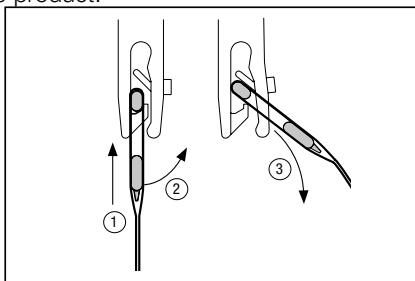


Attach the chain tensioner 1600mm above floor level.

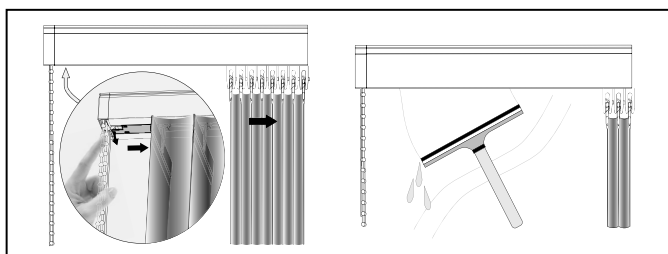
CARE AND CLEANING

- For the removal of dirt and grime, simply wipe fabric panels with a sponge soaked in lukewarm water and a little mild detergent or occasional brushing with a soft brush or feather duster is sufficient also.
 - There can be significant variations between fabrics used in Verishade XT, therefore we recommend that you clean a small area as a test first.
 - Proper care and maintenance will increase the life of your investment.
- The surface of Verishade XT fabric and tracks will collect a layer of dust over time.
 - Verishade XT fabric can be lightly hand washed and dried and can also be ironed with a cool iron or steamed to remove creases.
 - The Verishade XT track can be cleaned with a feather duster, or a slightly damp microfibre cloth to ensure the components are also dust free.

CAUTION Never use harsh cloths, harsh abrasives, chlorine or ammonia based chemicals or cleaners on any Verishade XT surface as they may affect the appearance, longevity and warranty of the product.



On the stack side of your blinds the end attachment can be unhooked in order to stack back the fabric to clean the window.

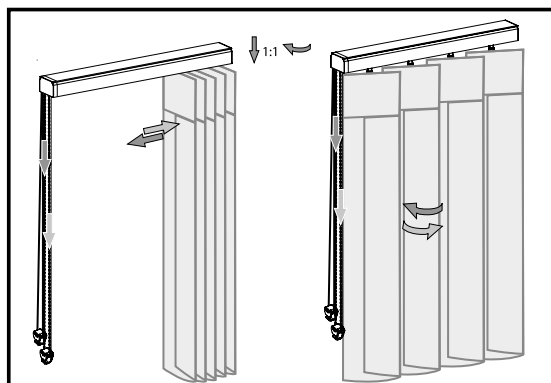


OPERATION

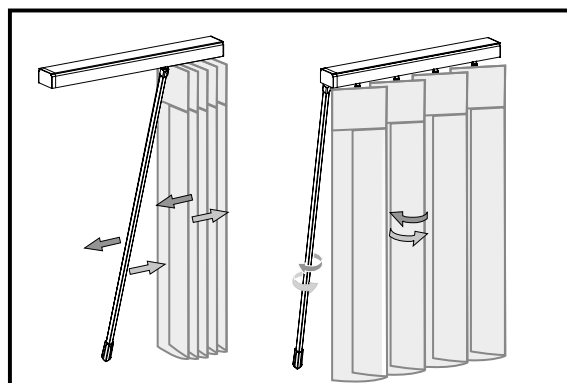
Verishade XT Blinds operate as per Weathermaster® Vertical Blinds.

The Chain Controls the tilting of the LumiShade and should be tilted several times to ensure it opens and closes correctly.

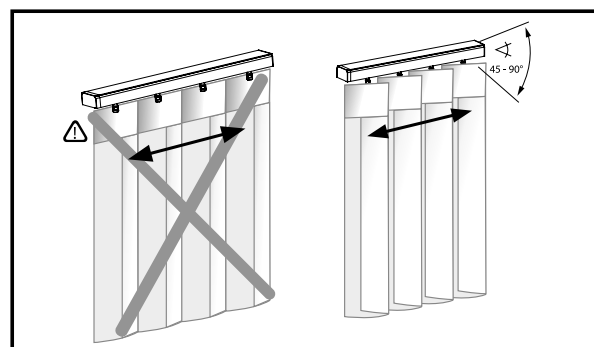
The Cord Traverses the panels clear of the window allowing access for opening a window or cleaning.



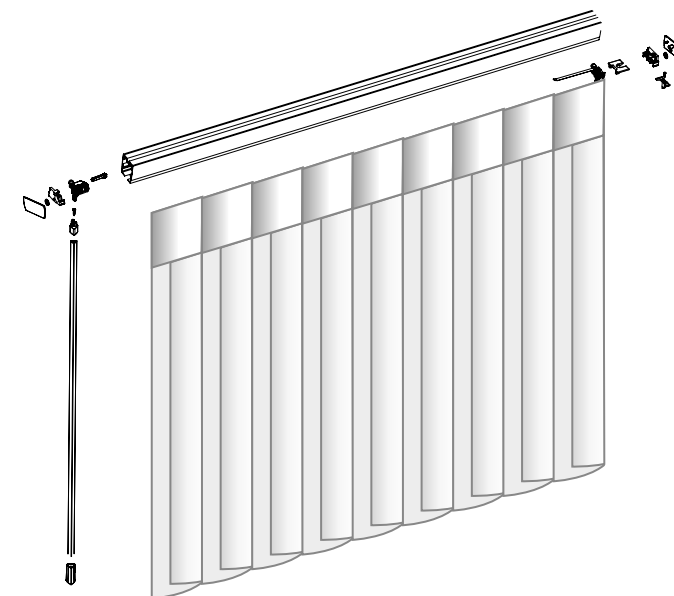
The Wand Controls the tilting of the Verishade XT and traverses the panels clear of the window allowing access for opening & closing or cleaning.



Before traversing the panels ensure they are tilted (opened) to the window.



VERISHADE XT™ INSTALLATION, OPERATING AND CARE INSTRUCTIONS



MATERIAL AND TOOLS

Each Verishade XT™ ordered should include:

- Mounting clips (number depends on size)
- Mounting brackets (if face fixed)
- 3 screws for each bracket (20mm x 6# Panhead) (Face Fit)
- Cord tensioner and screw (if cord/chain)

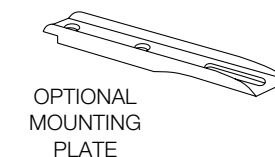
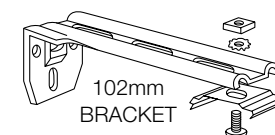
TOOLS REQUIRED

- Steel measuring tape
- Carpenter's level
- Power or battery drill and bits
- Flat blade and Phillips head screwdrivers

INSTALLATION METHOD

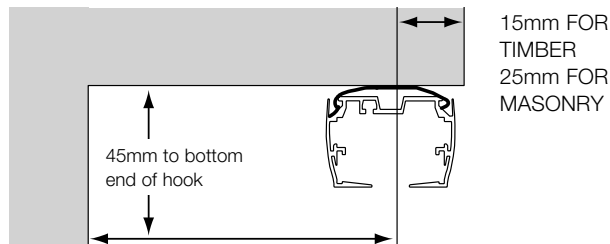
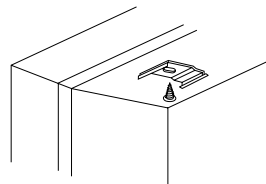
The Verishade XT may be installed in Reveal (inside the window frame) or Face (outside the window frame). This determines the type of brackets to be used.

The 102mm mounting bracket is used for all Verishade XT blinds. If required to extend the Verishade XT out from the wall the optional mounting plate can also be used.

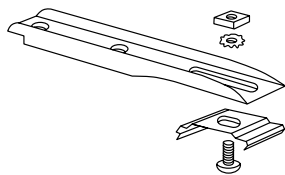


REVEAL FIT (INSIDE MOUNT)

The Verishade XT should be installed into the recess as far as possible, while still allowing sufficient clearance for the panels to rotate freely.

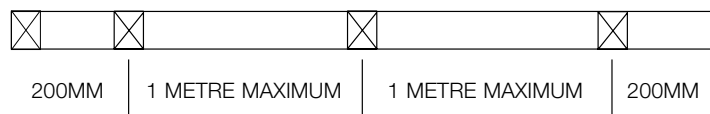


Optional – Mounting plates may be used to extend the position of the headrail mounting clips to a point outside of the reveal where required (must be ordered).



BRACKET/CLIP SPACING

Mountings should be within 200mm of the ends of the head channel and not more than 1 metre apart.



For stacking side, add an extra bracket for support.

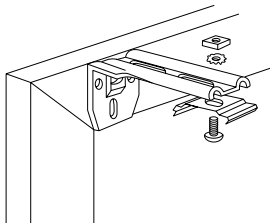
FACE FIT (OUTSIDE MOUNT)

First measure the track and mark on the face or architrave of the window where to attach the brackets.

Secondly, check the drop (length) of the Verishade XT and mark the height on the wall or architrave, allowing for clearance.

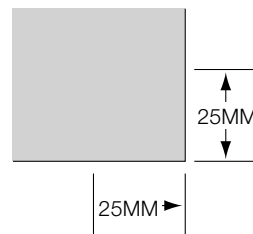
Attach the brackets by using (20mm x 6# Panhead) screws supplied.

Minimum 3 screws per bracket.



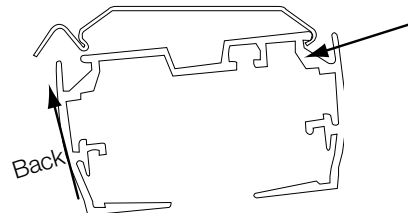
BRICK OR RENDERED SURFACES

Warning: Ensure you drill no closer than 25mm from the edge of these surfaces as you may chip or breakout the brick or render.



INSTALLING THE TRACK

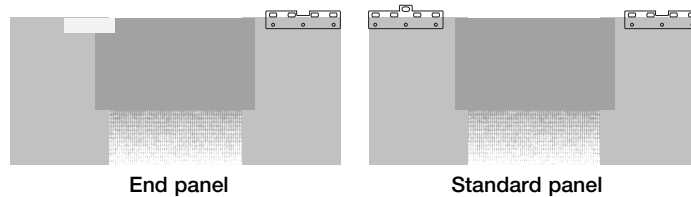
Check to see what side the control is on before proceeding. Hold track up to the brackets ensuring front edge lip of the track engages into the lip of the bracket, twist up and backwards to snap the track on to the bracket.



Note: Longer tracks will require you to snap each bracket in turn.

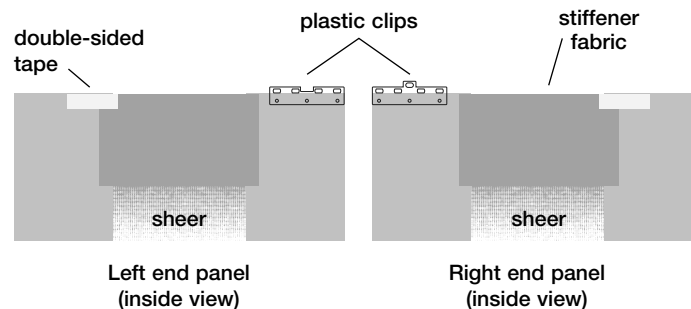
ATTACHING THE PANELS

Start with the track in closed position and ensure the hooks are in the open position. Pick one fabric panel up individually and hang one side in the second hook. Connect the next fabric panel to the former panel by clicking the clear plastic hangers together, then repeat.



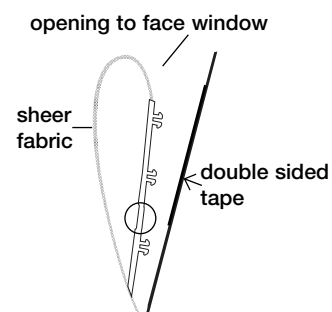
END PANELS

The left and right end panels will be supplied with only 1 clear plastic clip attached and double sided tape applied on the opposite side.



FOLDING THE END PANEL

- The outside facing edge should be sheer fabric.
- Fold the fabric around the vanes.
- Line up the vane vertically and attach to the double sided tape. Ensure the fabric vane opening faces the back (window). Click the 2 clear plastic tabs together.
- Hang on last hook.



PROTECTING YOUR CHILDREN

Please be aware that blind cords or chains pose a strangulation hazard for children. **To reduce the risk of strangulation this internal window covering must be installed in such a way that a loose cord cannot form a loop 220mm or longer at a height of less than 1600mm above floor level. If your shade is provided with cord operation, it is essential that the following installation instructions are adhered to:**

- The cord may be installed lower than 1600mm above floor level if the cord is sufficiently secured or tensioned to prevent a loop of 220mm or longer being formed;
- If a cord is installed lower than 1600mm above floor level it must be fitted to prevent a child from being able to remove the cords.

If your blind is provided with a cord cleat, it is essential that the following installation instructions are adhered to:

- If a cleat is used to secure the cord, it must be at least 1600mm above floor level to prevent children from unwinding the cord from the cleat.

SAFETY DEVICES

This pack includes the following child safety devices for control options that use chain and cord.

- Cord Tension Device – 28.237.850
- Cord Tension Hardware – 415459000

These safety devices are suitable for installation onto the following surfaces:

- Timber
- Aluminium
- Gyproc (Spring Toggle)
- Brick (Wall Plug)

NOTE

The Spring Toggle and Wall Plug are not included in this pack.

CHILD SAFETY INSTALLATION INSTRUCTIONS

Be aware that it is possible for children to strangle in window covering cords and chains. To reduce the possibility of such an accident, all cords and chains must be kept out of reach of children, including infants. Cord and chain tensioners are an effective way you implement this essential precaution.

