

Q-Motion Zigbee Programming Guide

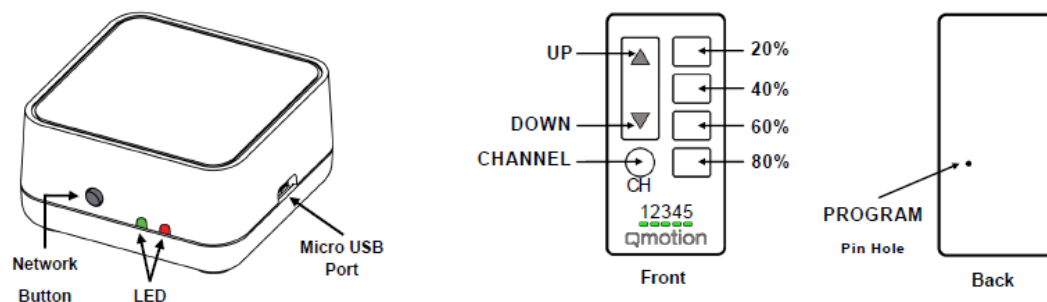
Integrating into Control 4 Automation System

Whenever blinds are integrated into a Control4 automation system, there is no need to perform any programming or limit setting. Essentially the blinds will be installed and left for the automation integrator to commission and set the limits.

Please do not try to manually operate the Roller Blind prior to Control4 integration, as the motor may exit its 'pairing mode'. The Roller Blind will not function correctly and continue to jog for several minutes, indicating it has not been setup.

If blinds are used as a standalone product (no Control4 automation system), please continue with the steps below.

Setting up Q-Motion Zigbee without a Control 4 Automation Systems



NOTE: Range Extender: Green LED will flash rapidly for 1 second when a device (Blind/Remote) joins the network

Create a Network (Range Extender)

- Power the RANGE EXTENDER using the provided power supply (Should be centrally located to blinds)
- PRESS and HOLD the NETWORK button until the GREEN LED illuminates (Green LED illumination indicates the network is active)

Add Remote to Network

- PRESS and HOLD the NETWORK button until the GREEN LED illuminates (Green LED illumination indicates the network is active)
- Pull battery tab from Remote
- Use a paper clip to PRESS the PROGRAM button on back of the remote (The channel LEDs will scroll back and forth when in program mode)
- PRESS any button on the remote to join network (Green LED will flash when remote joins the network)

Add Roller Blind to Network

- PRESS NETWORK button on the RANGE EXTENDER (Red LED will flash)
- PULL DOWN on BOTTOM BAR 150-250mm, blind will JOG in response

Pair Roller Blind to Remote

- PRESS the CHANNEL button to select the channel that will control the Blind
- PRESS the PROGRAM button on the back of the remote
- PRESS the UP button, blind will JOG in response
- PULL DOWN on BOTTOM BAR 150-250mm, multiple blinds can be joined to learn the same channel

Setting Bottom Limit

- PRESS the DOWN button on the remote to send the blind to the default bottom limit
- Press and HOLD the DOWN button until the blind moves downward and JOGs
- PULL DOWN on BOTTOM BAR 150-250mm, blind will JOG in response
- PULL down on BOTTOM BAR to move the blind to the required bottom limit
- Press and HOLD the DOWN button, the blind will JOG indicating learned bottom limit

Intermediate Stops

The four intermediate stops will be automatically set, once the bottom limit is set.

Remove Blind from Remote Control

- PRESS the UP button to send the blind to the full open position
- Use a paper clip to PRESS the PROGRAM button on back of the remote
- PRESS the DOWN button, blind will JOG
- PULL DOWN on BOTTOM BAR 150-250mm, blind will JOG and move to the top limit

Customise the Position of 20%, 40%, 60% & 80% Buttons

It is possible to custom change any of the intermediate stops. This is useful if you need to align multiple blinds with varying drops to the same intermediate position.

To change the 40% button, follow the instructions below. You can substitute the 40% button in the instructions below for any of the other intermediate buttons.

- Press the 40% button to send the shade to 40%.
- Press and HOLD the 40% button until the blind jogs
- PULL the bottom bar 150-250mm, the blind will jog
- Move the blind to the NEW 40% position by pulling down on the bottom bar or by rolling up the blind by hand to the correct position.
- Press and HOLD the 40% button until the blind jogs, indicating learned new learned position.

Remove Remote from Network/Range Extender

- Use a paper clip to PRESS the PROGRAM button on back of the remote three (3) times quickly

Factory Reset

- Send the Blind to its full OPEN position
- Perform TWO consecutive 150mm TUGS, waiting 1 second between tugs.
- (Blind will JOG, then travel up, settling about 50-100mm below the Upper Limit Position)
- Blind is now in tug command mode: There is a
- 10 second opportunity to enter a tug command before the blind will leave Tug Command Mode and resume normal operation.
- Perform 4 X 150mm TUGS, after each tug the blind returns to its starting position, wait 1 second before performing the next tug
- After the 4 Tugs are complete, the blind will move to the full open position confirming a factory master reset.

Network Reset

- Send the Blind to its full OPEN position
- Perform TWO consecutive 150mm TUGS, waiting 1 second between tugs.
- (Blind will JOG, then travel up, settling about 50-100mm below the Upper Limit Position).
- Blind is now in tug command mode: There is a
- 10 second opportunity to enter a tug command before the blind will leave Tug Command Mode and resume normal operation.
- Perform 3 X 150mm TUGS, after each tug the blind returns to its starting position, wait 1 second before performing the next tug.
- After the 3 Tugs are complete, the blind will move to the full open position confirming a network reset.