

# PolySatin Shutters Installation Manual



*Luxaflex*<sup>®</sup>  
WINDOW FASHIONS

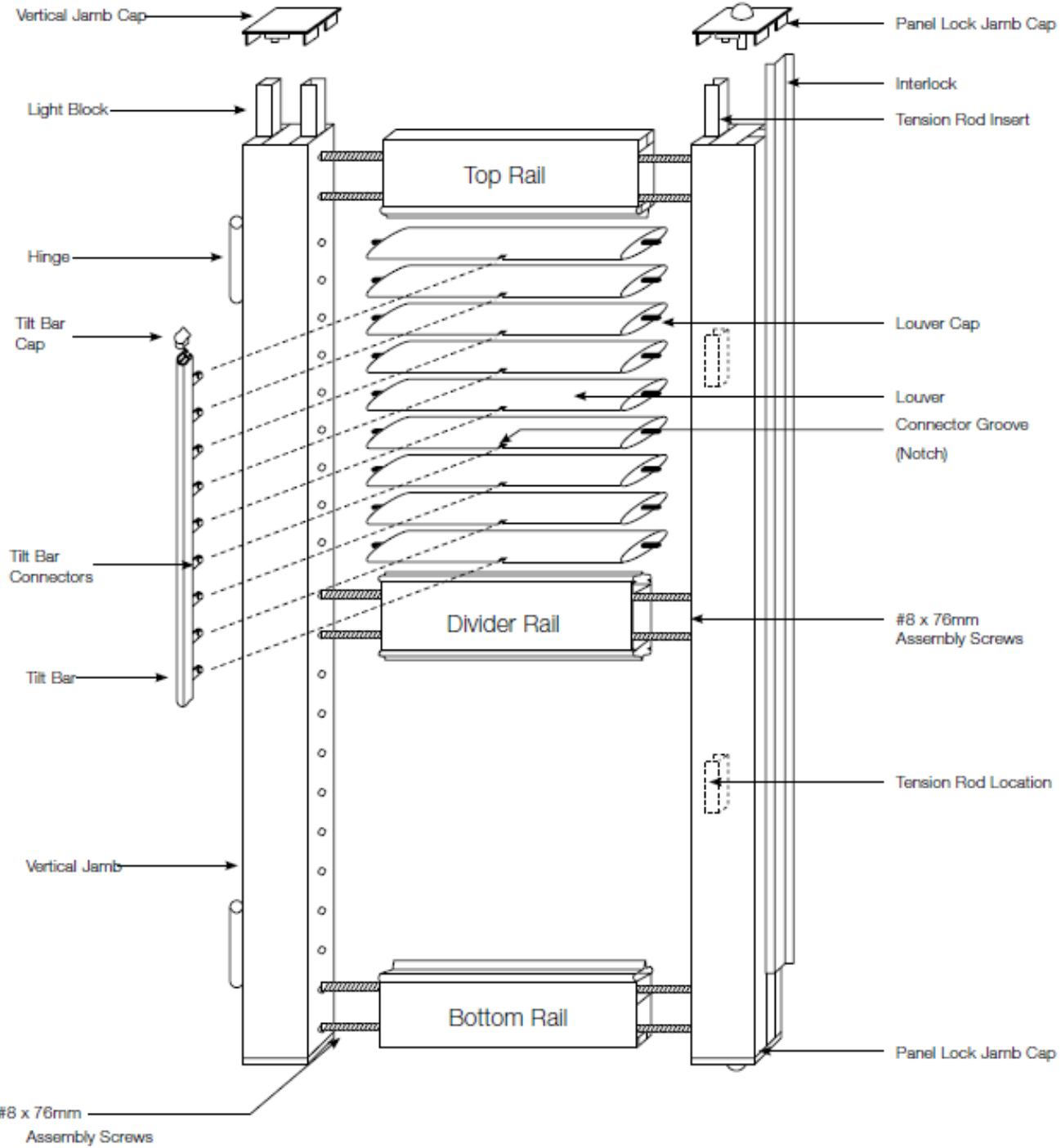
# INSTALLATION

## INSTALLATION TOOLS REQUIRED

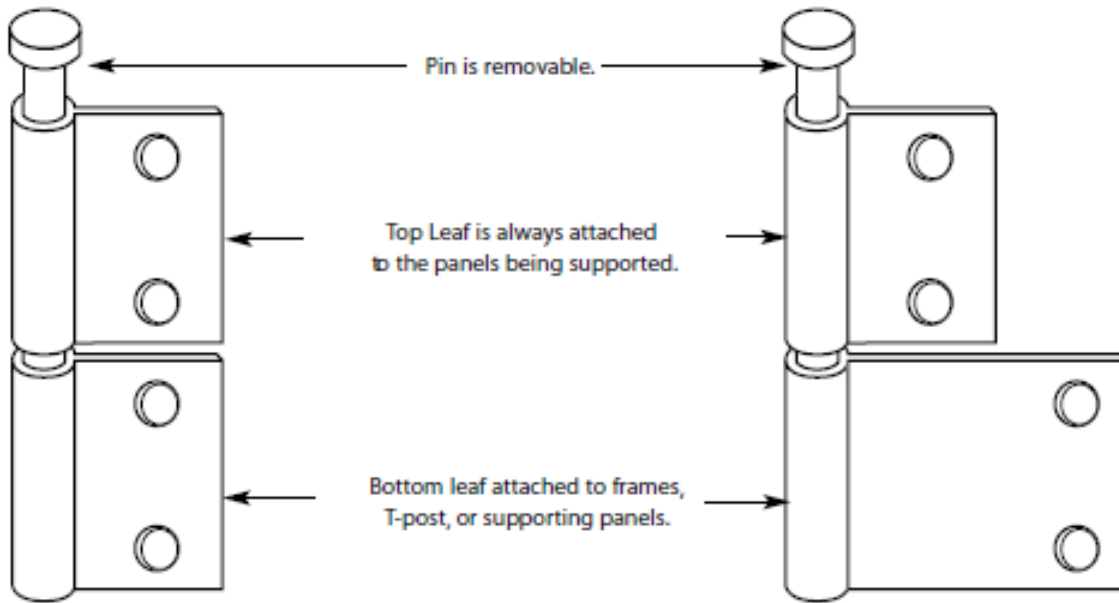
- Rechargeable, variable speed 10mm drill
- Hinge shims (available if requested for no-frame applications only 38mm x No.)
- Slot screw driver
- Non-marking hammer with 25mm head for tapping frames into position
- 10mm diameter drill bit
- Loctite 454 Instant Adhesive or contact cement required
- Caulking for mitred corners and gaps between the frames and window jambs for corner keys
- Robertson screwdriver bits, 100mm x No1, 38mm x No2.
- Jig saw, hack saw, Dremel tool or Stanley knife if cut-outs are required
- 25mm or 30mm course threaded bugle headed needle point Gyprock screws

# GENERAL INFORMATION

## SHUTTER PANEL PARTS DIAGRAM



## TWO PART HINGES

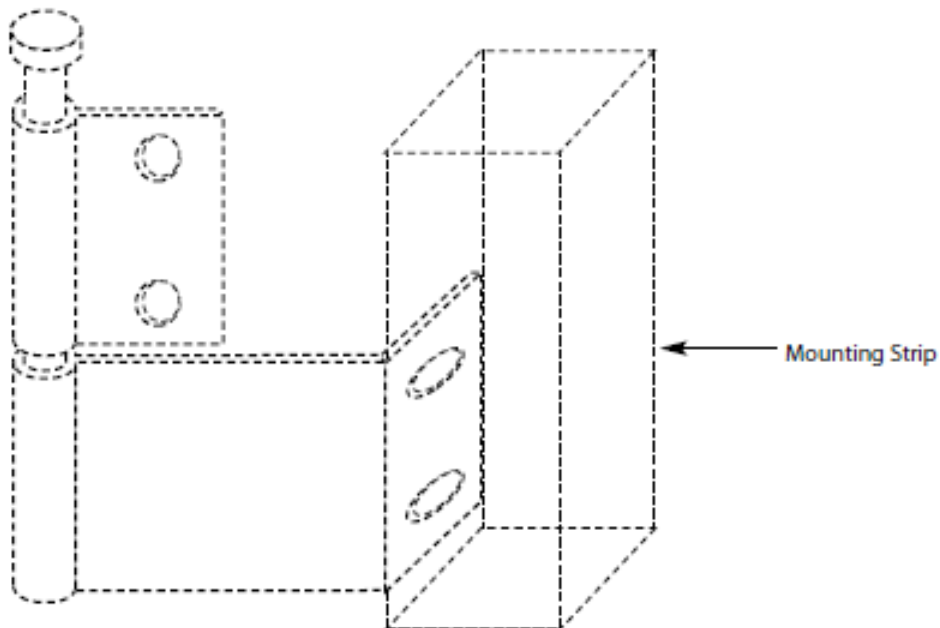


### 16mm Hinge Leaf Set

(used on panels and frames)

### 32mm Extended Hinge Leaf Set

(used only to install panels without frame to provide depth adjustment)



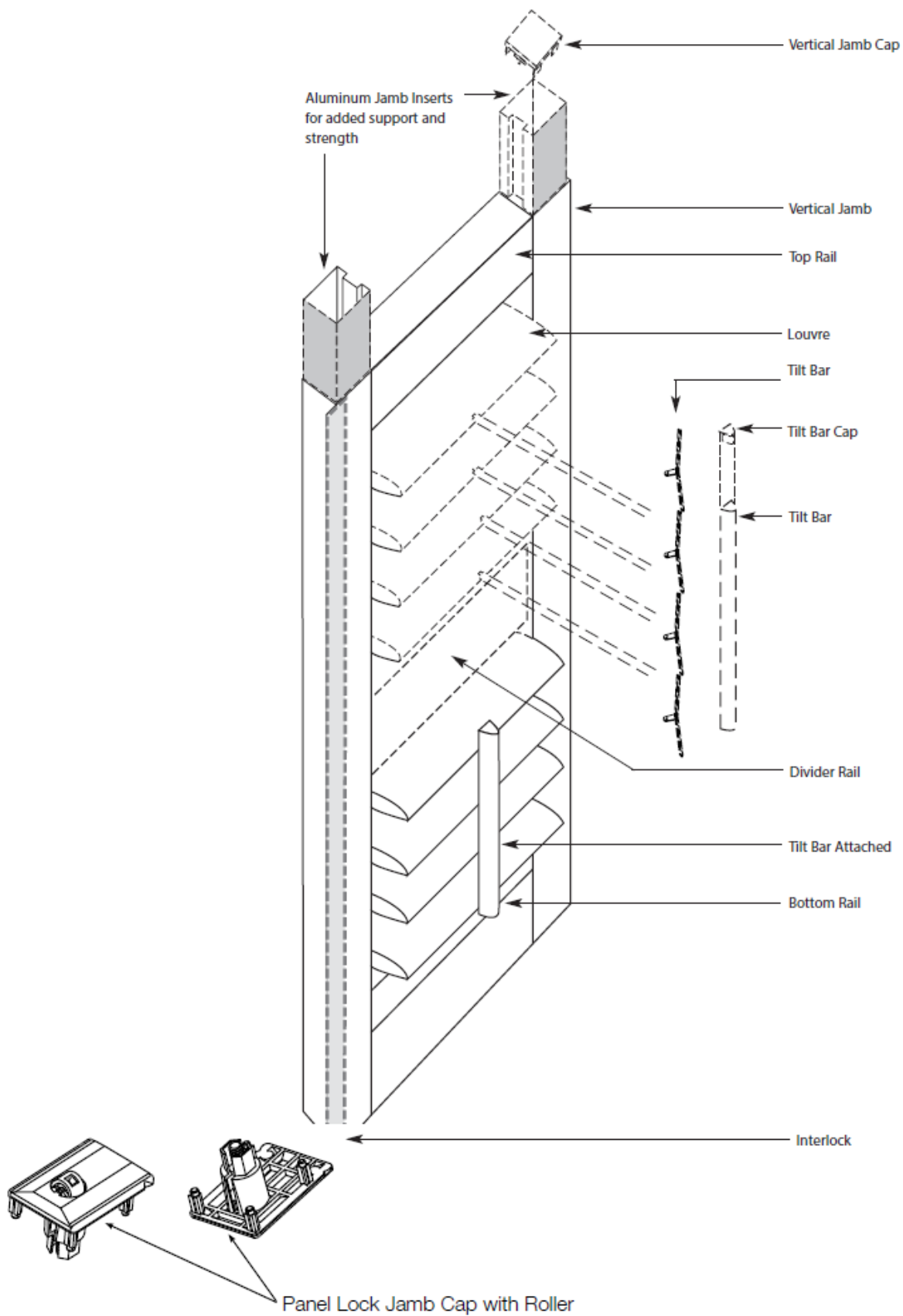
### Bent Leaf Hinge Set

(used for inside and outside mount with 19mm or 25mm mounting strip)

Available colours: White, Vanilla and Stainless Steel.

Note: All panels, frames and T-Posts are pre-hinged  
(Except for mounts using Mounting Strips)

# SHUTTER PANEL PARTS



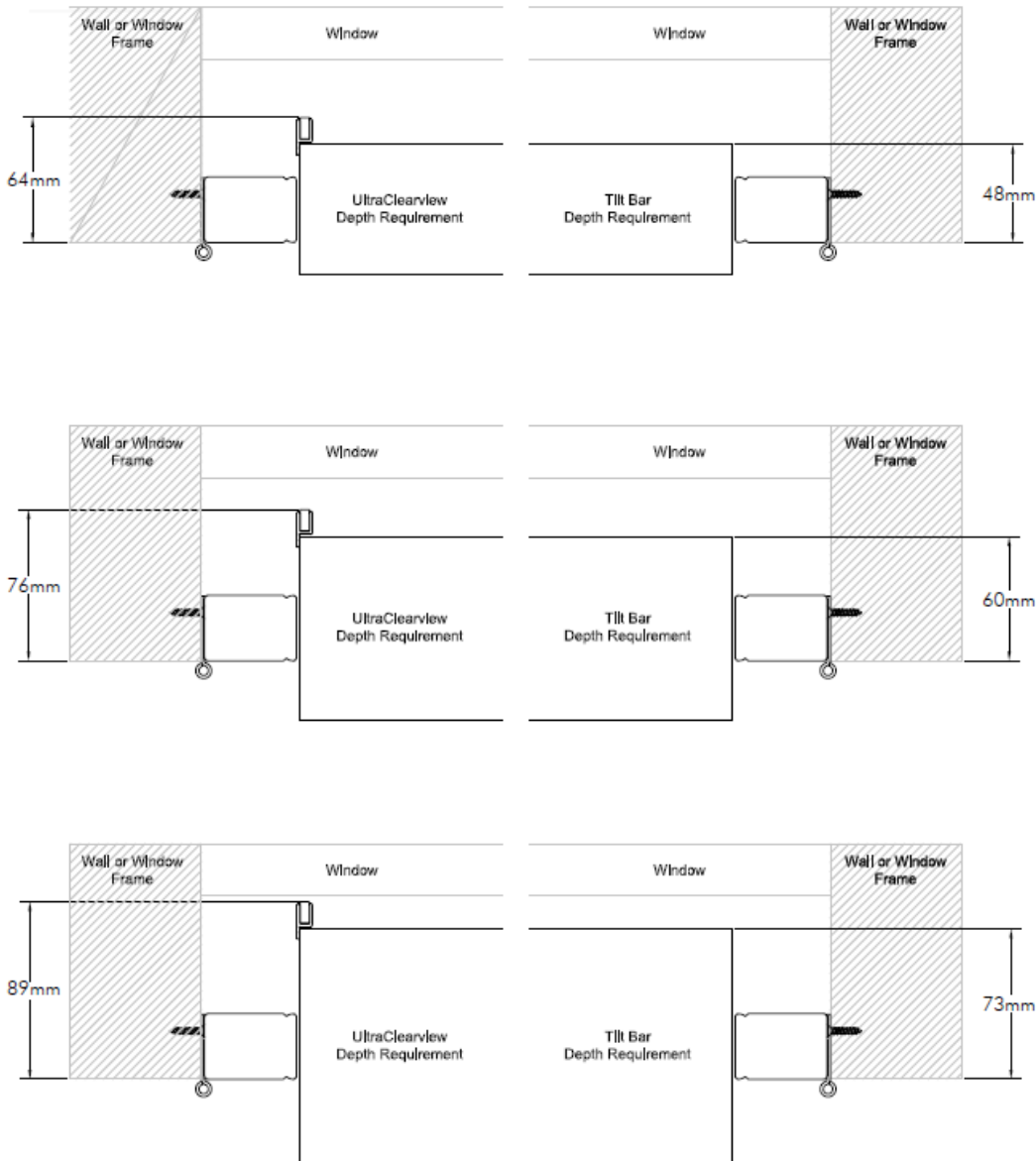
# OPERATING AND DEPTH CLEARANCE

## REVEAL MOUNT WITH NO FRAME (DIRECT MOUNT)

### Depth Clearance

With Tilt Bar/SmartView	With Clearview/Hidden Tilt
64mm Louvre = 48mm	64mm Louvre = 64mm
89mm Louvre = 60mm	89mm Louvre = 76mm
114mm Louvre = 73mm	114mm Louvre = 89mm

NOTE: With optional 32mm extended leaf hinges, the depth clearance for shutters can be reduced by up to 16mm. However, the hinges will protrude into the room.



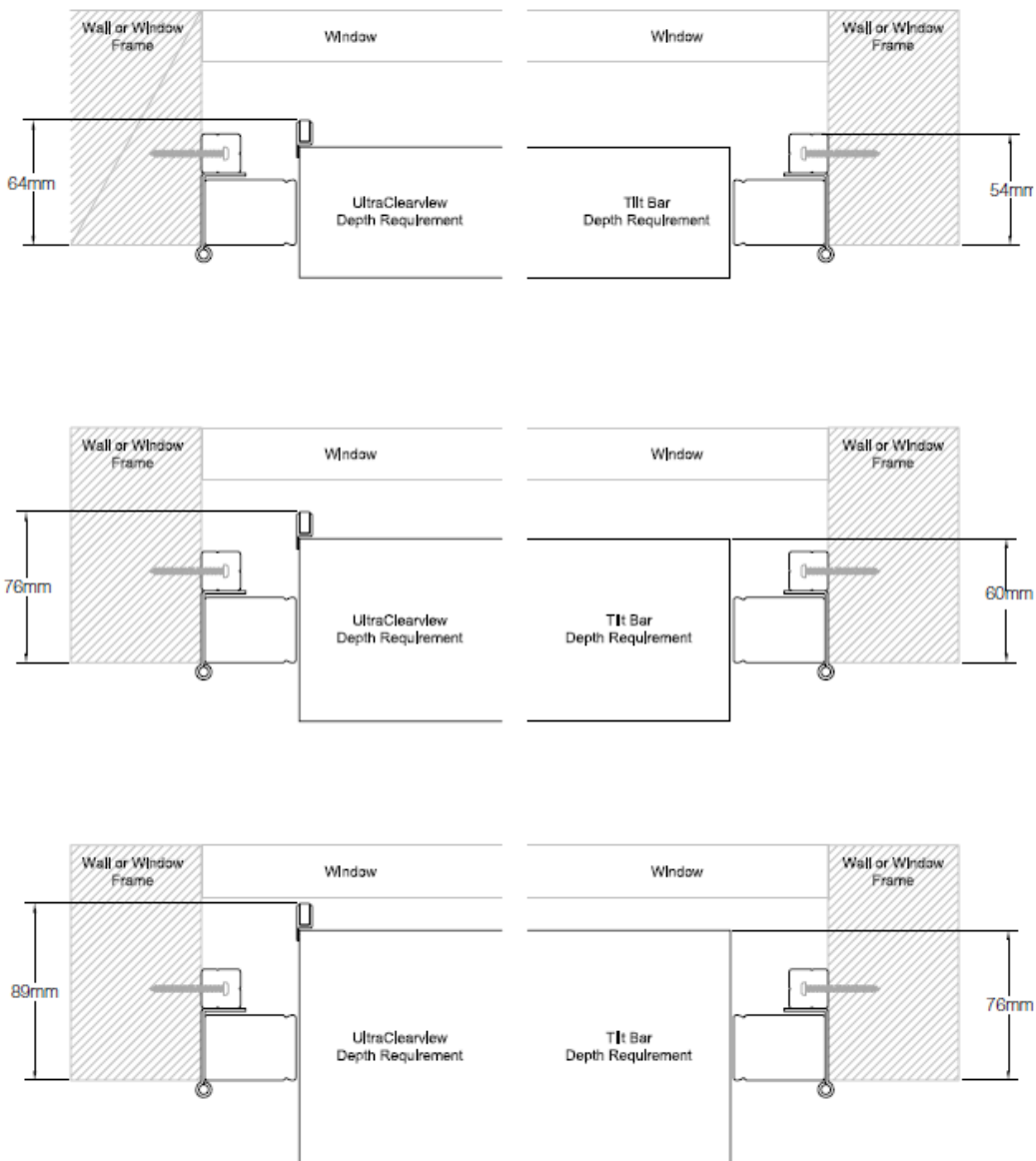
\* It is recommended to use samples from the Sales bag to ensure proper clearance for locks, latches, tilting windows or any other obstruction.

# REVEAL MOUNT WITH 19MM X 19MM MOUNTING STRIP AND BENT-LEAF HINGE

## Depth Clearance

With Tilt Bar/SmartView	With Clearview/Hidden Tilt
64mm Louvre = 54mm	64mm Louvre = 64mm
89mm Louvre = 60mm	89mm Louvre = 76mm
114mm Louvre = 76mm	114mm Louvre = 89mm

NOTE: Depth clearance can be reduced by 25mm if mounting strip is installed closer to the edge of the opening. However, panels will project into the room by 25mm.



\* It is recommended to use samples from the Sales bag to ensure proper clearance for locks, latches, tilting windows or any other obstruction.

## REVEAL MOUNT WITH L-FRAME

### Depth Clearance

With Tilt Bar/SmartView

With Clearview/Hidden Tilt

NOTE: For recessed/Inside Fit mounts the depth clearance is measured from the front of the L-frame. Other frame options are the "Sill Z" and the "Sill Trim".

64mm Louvre = 54mm

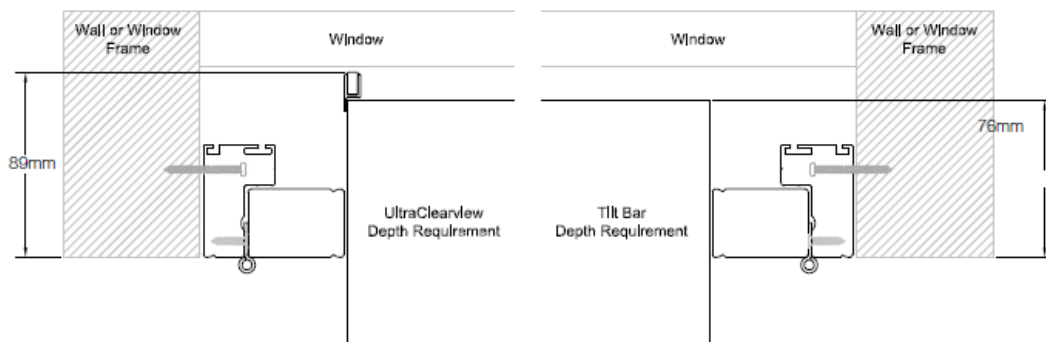
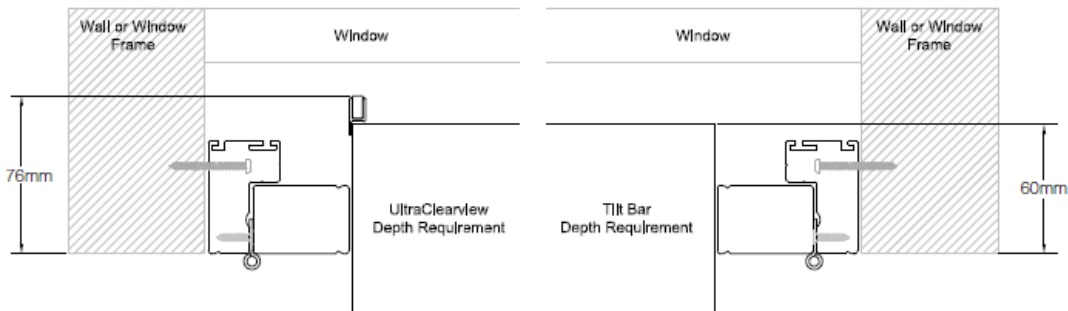
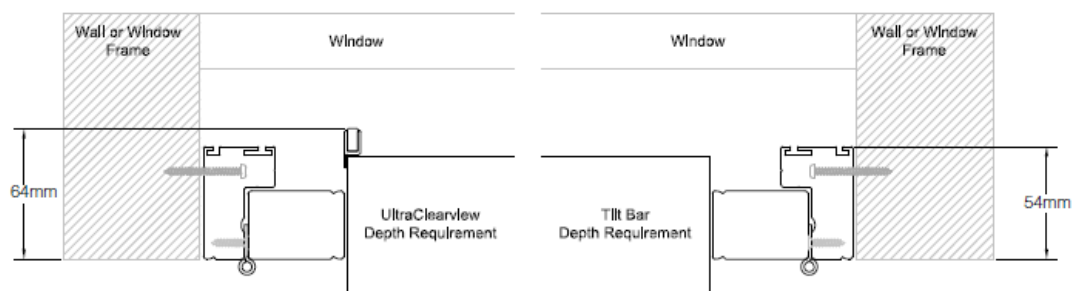
64mm Louvre = 64mm

89mm Louvre = 60mm

89mm Louvre = 76mm

114mm Louvre = 76mm

114mm Louvre = 89mm



\* It is recommended to use samples from the sales bag to ensure proper clearance for locks, latches, tilting windows or any other obstruction.



# REVEAL MOUNT WITH Z-FRAME

## Depth Clearance

With Tilt Bar/SmartView

With Clearview/Hidden Tilt

NOTE: Depth clearance is the minimum window opening required for louvres to operate without interference.

64mm Louvre = 32mm

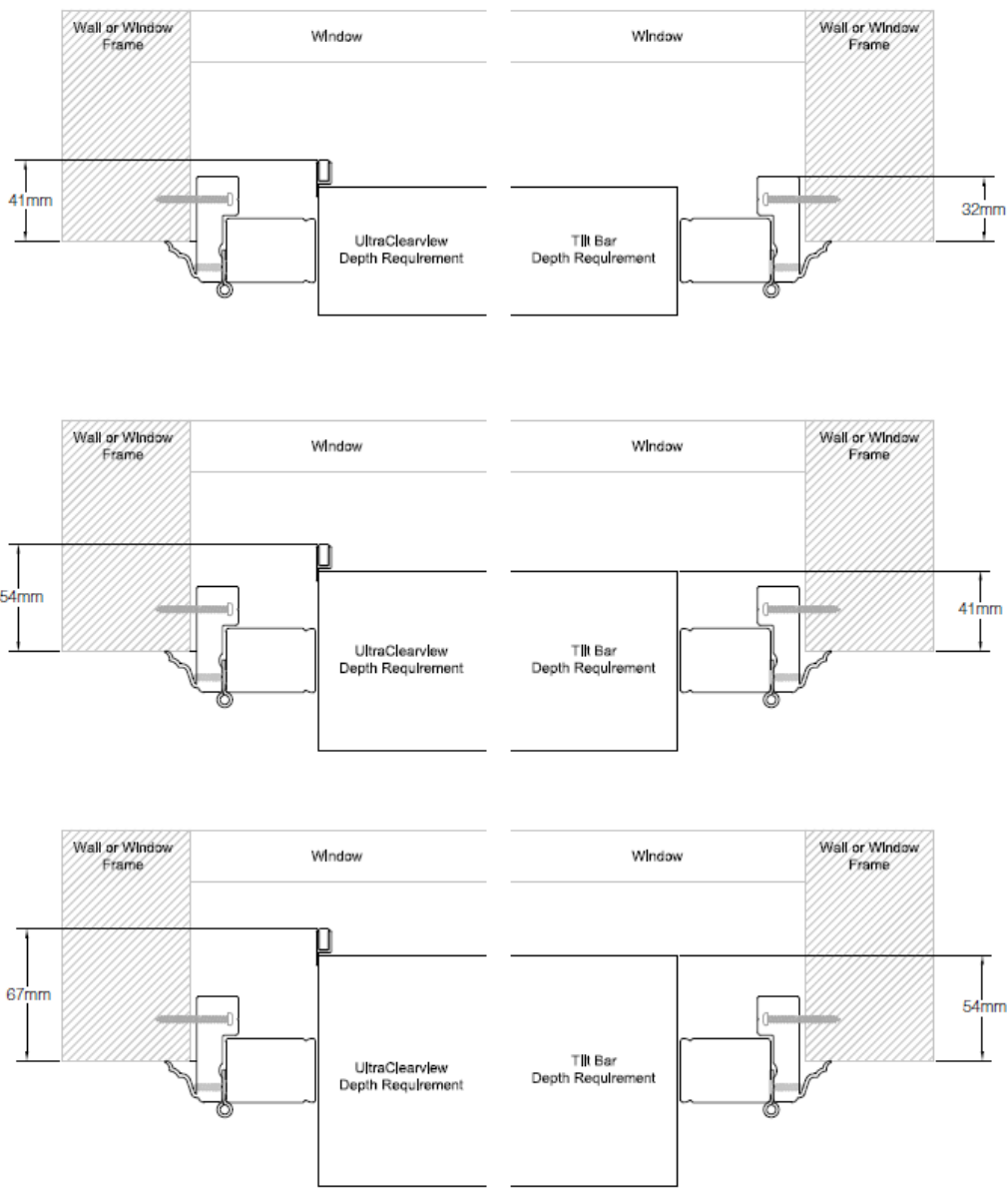
64mm Louvre = 41mm

89mm Louvre = 41mm

89mm Louvre = 54mm

114mm Louvre = 54mm

114mm Louvre = 67mm



\* It is recommended to use samples from the sales bag to ensure proper clearance for locks, latches, tilting windows or any other obstruction.

## REVEAL MOUNT WITH BULLNOSE Z-FRAME WITH FLEX

### Depth Clearance

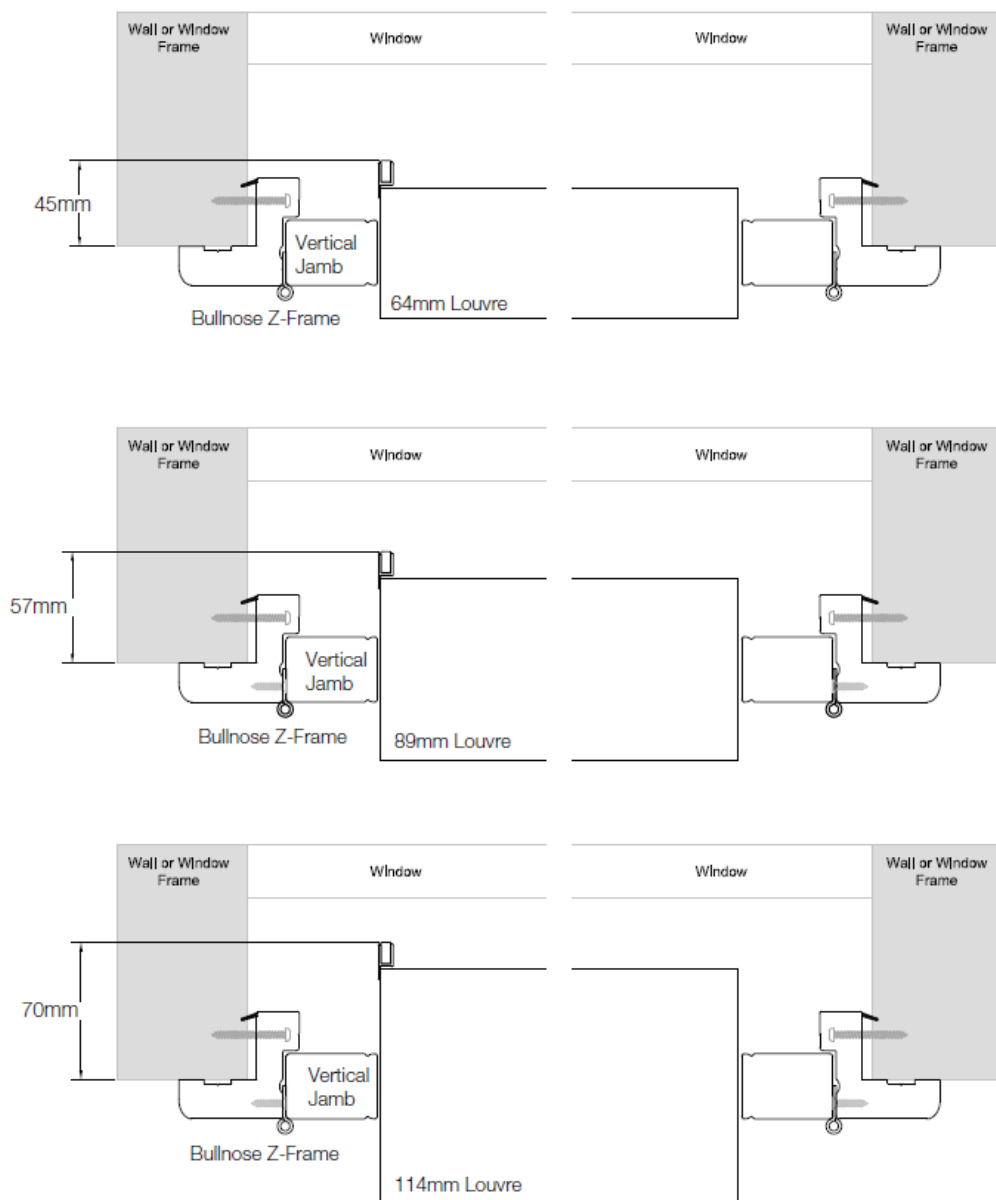
With Tilt Bar/SmartView      With Clearview/Hidden Tilt

64mm Louvre = 35mm      64mm Louvre = 45mm

89mm Louvre = 41mm      89mm Louvre = 57mm

114mm Louvre = 54mm      114mm Louvre = 70mm

NOTE: Depth clearance is the minimum window opening required for louvres to operate without interference.



\* It is recommended to use samples from the sales bag to ensure proper clearance for locks, latches, tilting windows or any other obstruction.

## REVEAL MOUNT WITH TRIM FACE WITH FLEX

### Depth Clearance

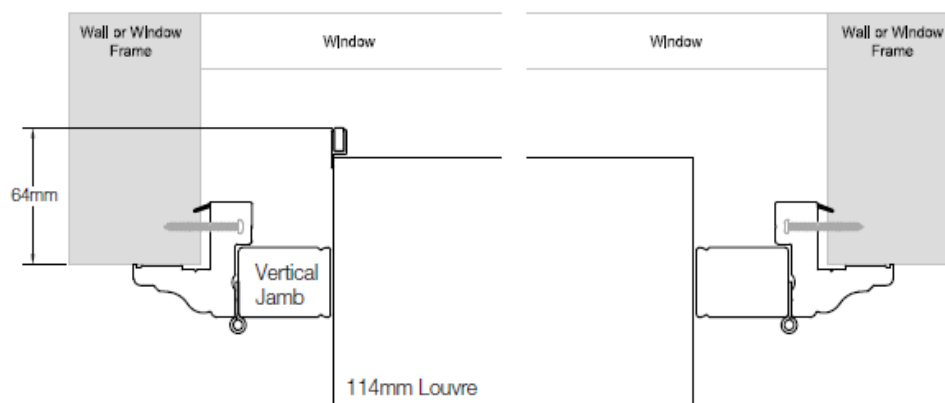
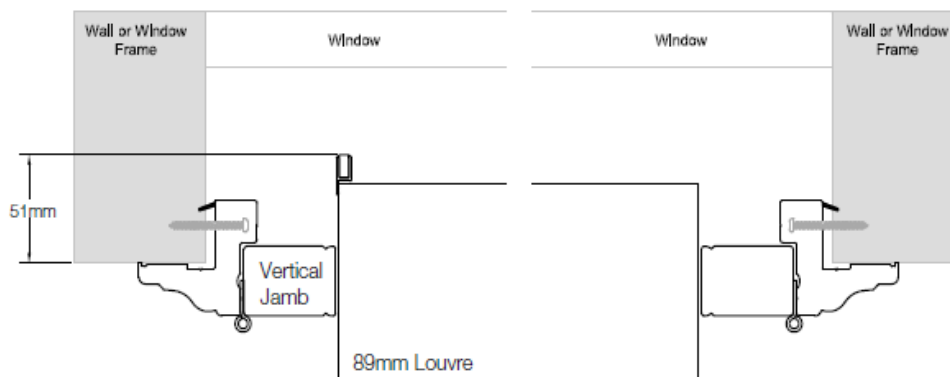
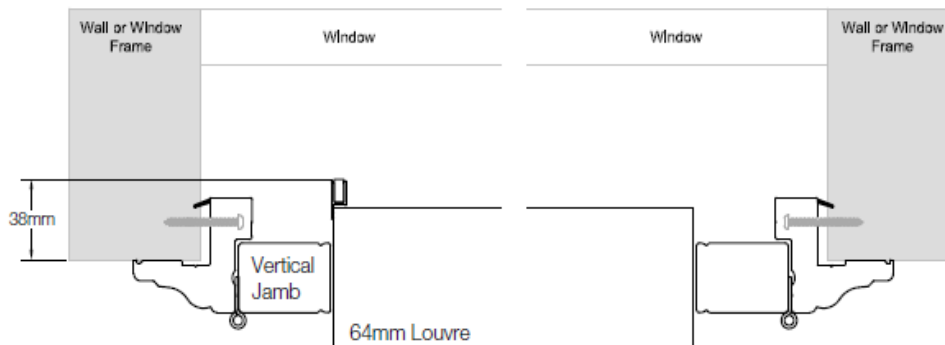
With Tilt Bar/SmartView      With Clearview/Hidden Tilt

64mm Louvre = 29mm      64mm Louvre = 38mm

89mm Louvre = 38mm      89mm Louvre = 51mm

114mm Louvre = 51mm      114mm Louvre = 64mm

NOTE: Depth clearance is the minimum window opening required for louvres to operate without interference.



\* It is recommended to use samples from the sales bag to ensure proper clearance for locks, latches, tilting windows or any other obstruction.

# REVEAL MOUNT WITH DELUXE FRAME

## Depth Clearance

With Tilt Bar/SmartView

With Clearview/Hidden Tilt

NOTE: Depth clearance is the minimum window opening required for louvres to operate without interference.

64mm Louvre = 29mm

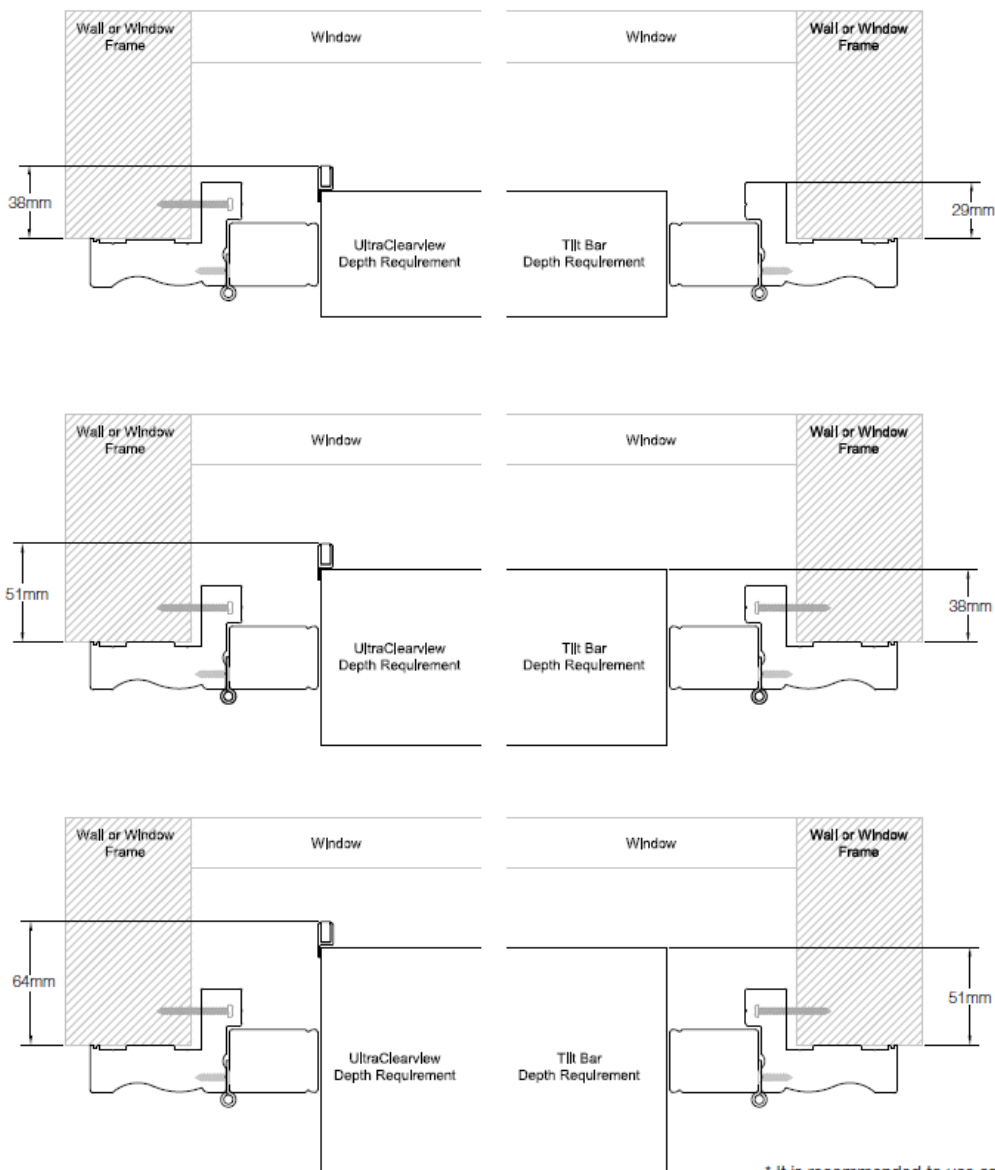
64mm Louvre = 38mm

89mm Louvre = 38mm

89mm Louvre = 51mm

114mm Louvre = 51mm

114mm Louvre = 64mm



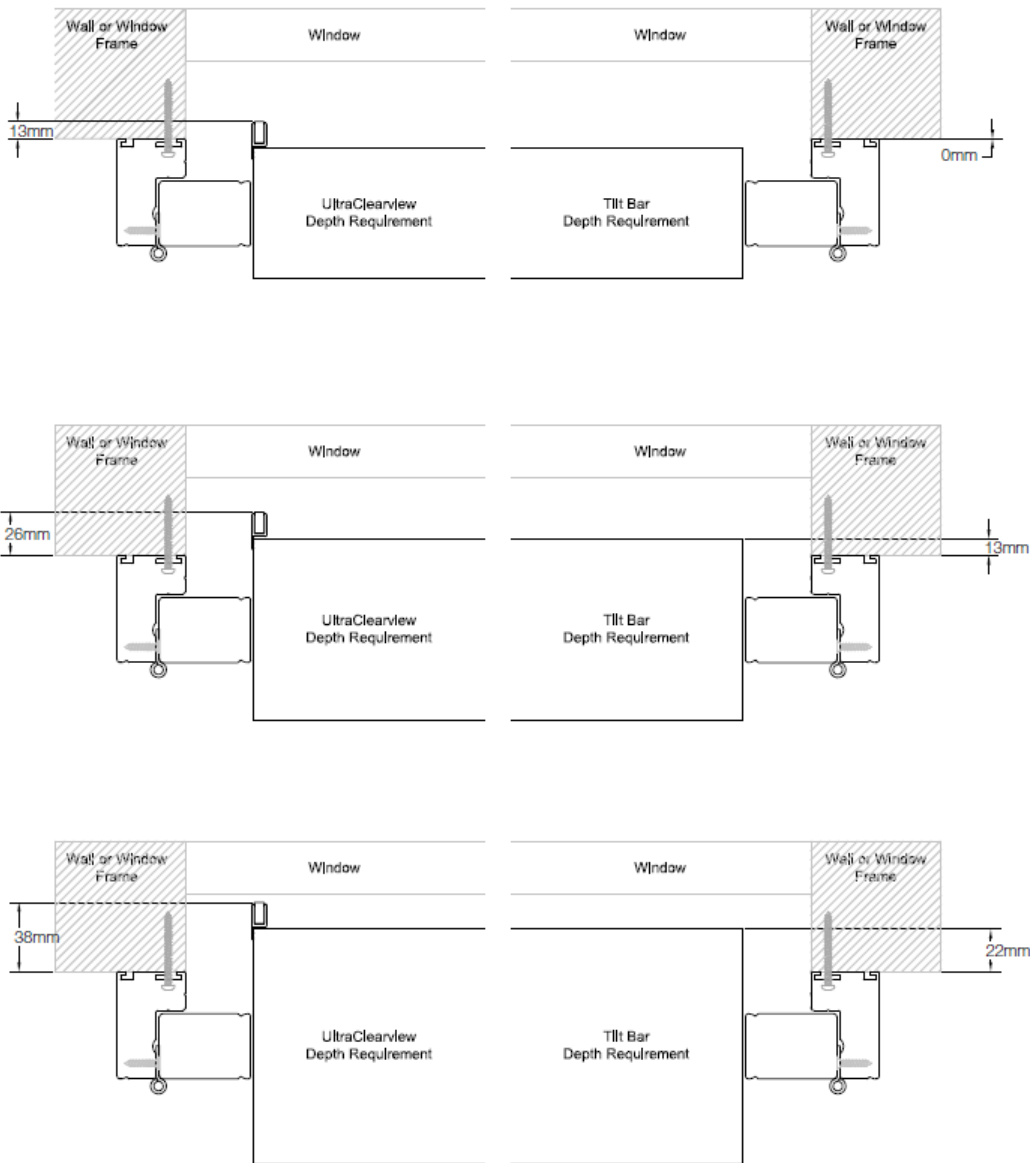
\* It is recommended to use samples from the shop-at-home bag to ensure proper clearance for locks, latches, tilting windows or any other obstruction.

# REVEAL MOUNT WITH L-FRAME

## Depth Clearance

With Tilt Bar/SmartView	With Clearview/Hidden Tilt
64mm Louvre = 0mm	64mm Louvre = 13mm
89mm Louvre = 13mm	89mm Louvre = 26mm
114mm Louvre = 22mm	114mm Louvre = 38mm

NOTE: Depth clearance is the minimum window opening required for louvres to operate without interference.



\* It is recommended to use samples from the sales bag to ensure proper clearance for locks, latches, tilting windows or any other obstruction.

## REVEAL MOUNT BESIDE ARCHITRAVE WITH L-FRAME

### Depth Clearance

With Tilt Bar/SmartView

With Clearview/Hidden Tilt

NOTE: Extensions are required to prevent louvres from hitting the architrave. Actual clearance depends on the size of the architrave.

64mm Louvre = 0mm

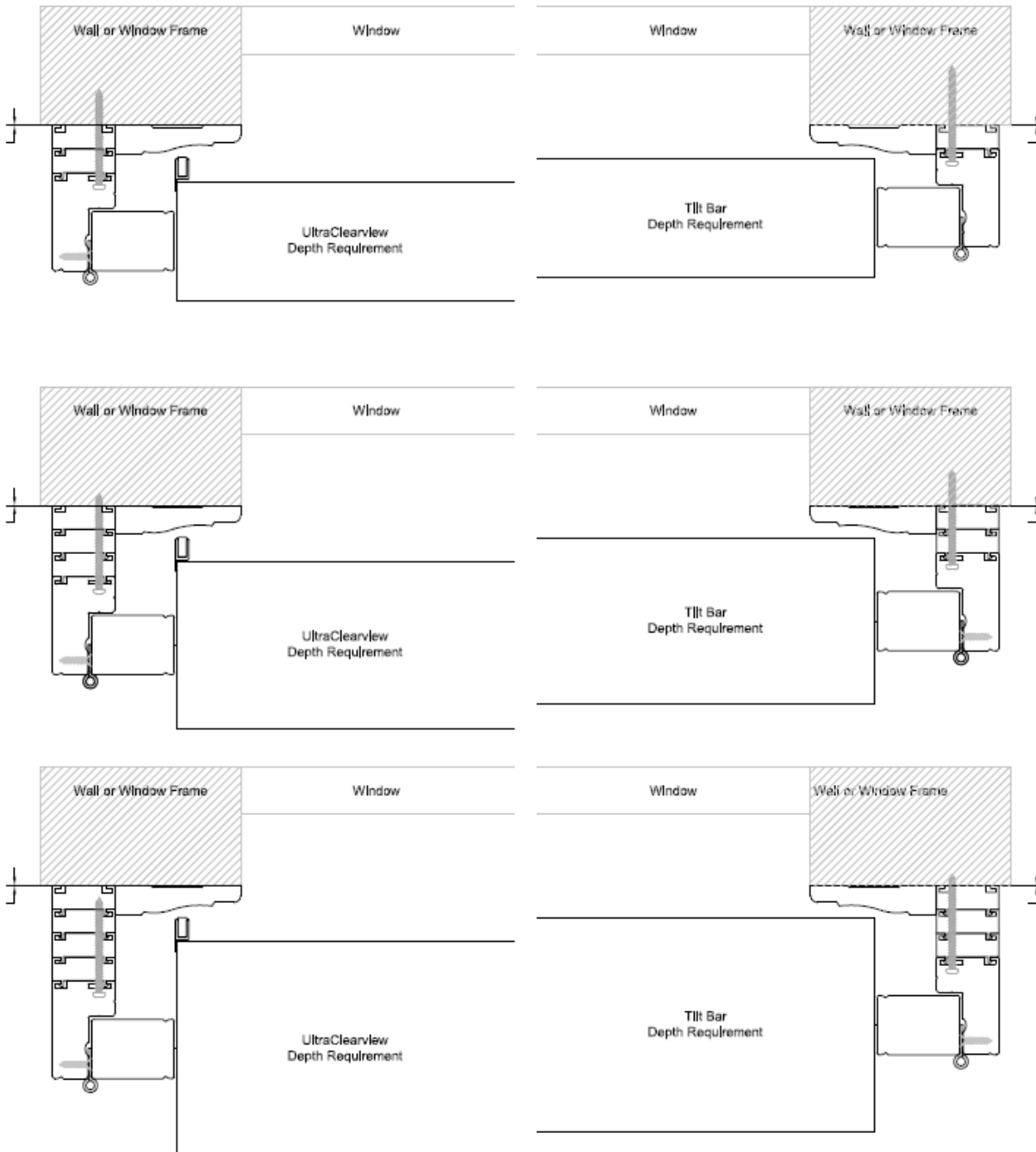
64mm Louvre = 0mm

89mm Louvre = 0mm

89mm Louvre = 0mm

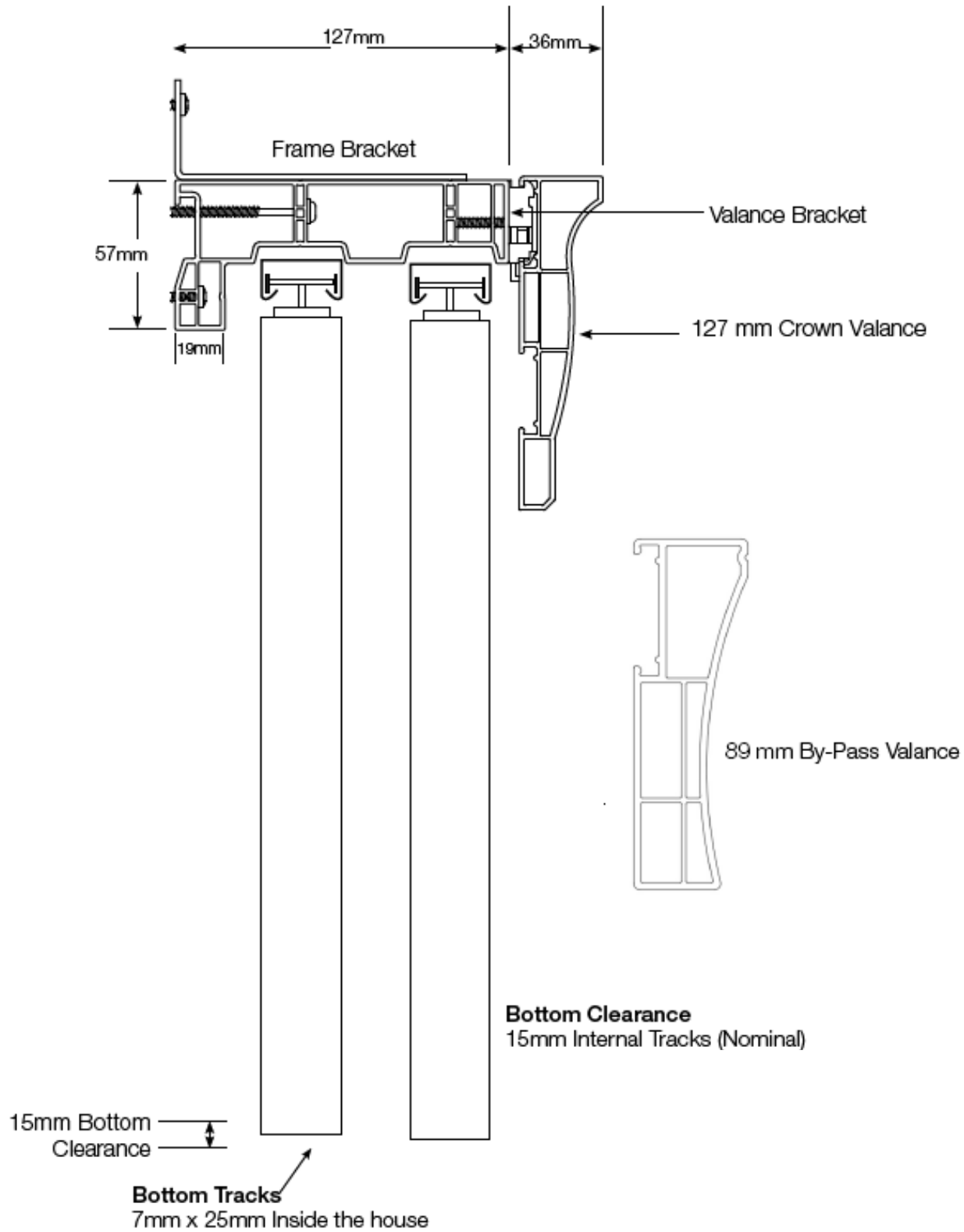
114mm Louvre = 0mm

114mm Louvre = 0mm

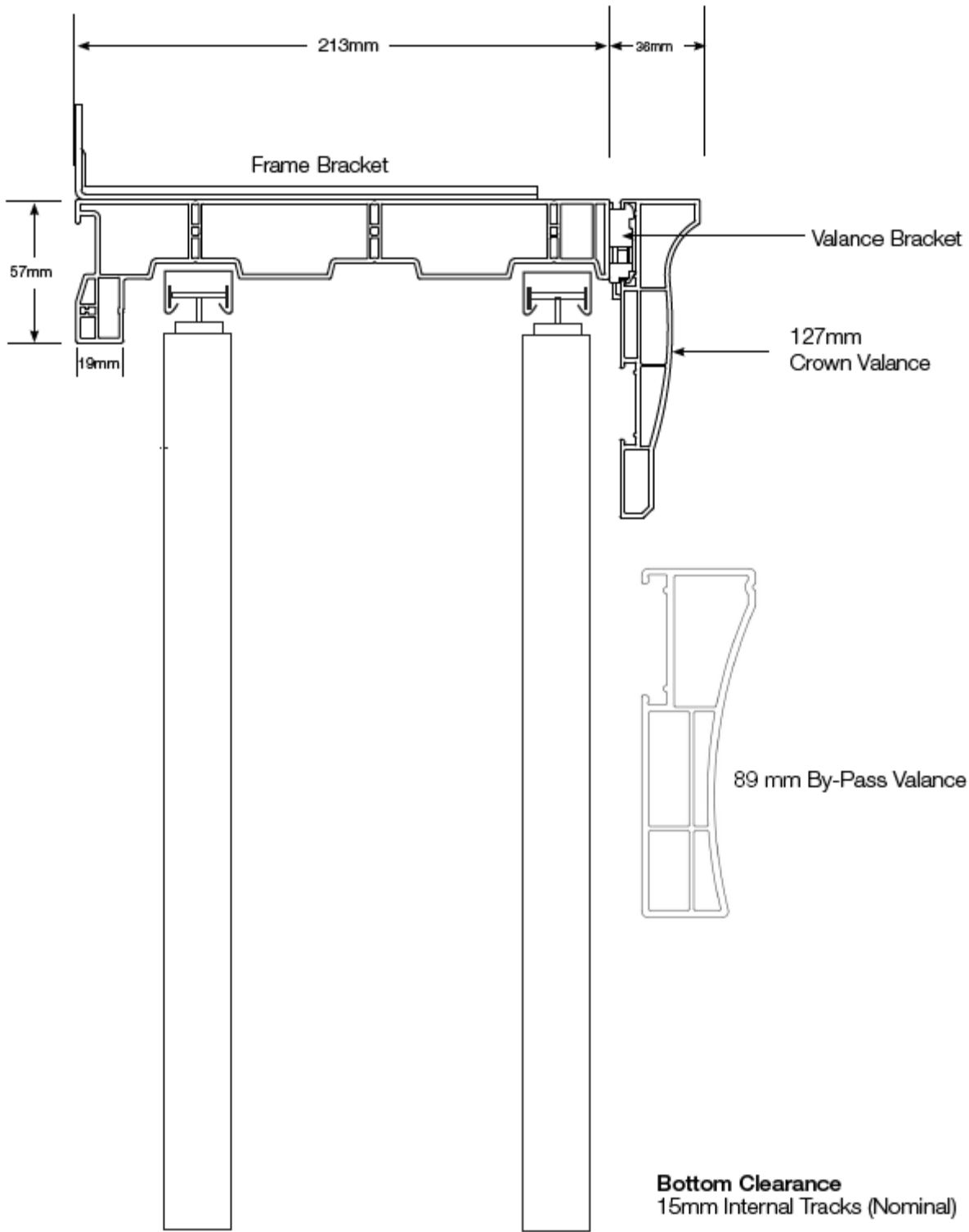


# SLIDING/OPEN SLIDING SHUTTERS TRACK SYSTEM

## SLIDING SHUTTERS TRACK SYSTEM DIAGRAM



# SLIDING SHUTTERS TRACK SYSTEM DIAGRAM – OPEN SLIDING



**Bottom Tracks**  
7mm x 25mm Inside the house



# SLIDING SHUTTERS INSTALLATION INSTRUCTIONS

## 1. FRAME ASSEMBLY

If this is 2, 3 or 4 sided, then refer to Diagram C for frame assembly instructions. Once the frames are assembled, installation holes are required by using a 10mm drill bit.

- A. For a Recess mount, drill a 10mm hole through the first layer of vinyl, within the mounting area every 254mm starting at each end of the frames (TOP Only).
- B. For a Face mount, drill a 10mm hole through the first layer of vinyl at the front edge of the reveal of the frame every 254mm (Top Only).

## 2. TOP FRAME INSTALLATION

- A. For a Recess/Inside Fit mount, fasten the top frame to the opening, making sure it is level; shim to level if necessary.
- B. for a Face mount, set the frame against the wall. Level the top and fasten the top frame to the wall, utilising provided L- brackets. (if wider than 2 metres)

## 3. ALUMINIUM TRACKS

Mount aluminium tracks to the extreme left of the opening of the frame by screwing through the predrilled holes in the track to the extrusion lines on the underside of the top frame

## 4. WHEELS

Insert wheel carriers inside each aluminium track. Two carriers are assigned to each panel so check TWO carriers are assigned to each panel and check the panel configuration to determine the correct number of carriers are in each track.

## 5. ATTACH DOUBLE PANELS IF APPLICABLE

When two panels are to be joined, lay panels face up and side by side on the floor. Remove the two interior top jamb caps. Insert the panel joiner by sliding it into the two interior jambs (See Diagram G). Place the jamb caps back onto the top jambs.

## 6. ATTACH LIGHT BLOCK FOR OPEN SLIDING

2 pieces of vertical jamb will be supplied for every overlap when Open Sliding is ordered. One piece of vertical jamb is mounted at the back of the interior edge of the front panel, while the second piece is mounted at the front interior edge of the rear panel. For either option, drill a 10mm hole starting at the top, every 500mm through the first two layers of vinyl. Screw the vertical jamb to the panel and cap holes with button plugs.

## 7. HANG SHUTTERS

Push the door plates onto the adjustable nut of the wheel carriers.

## 8. LEVEL PANELS

Adjust one panel in line with the window mullion, adjust the other panels in line with this panel. Now lock the panels by tightening the 11mm lock nut.

## 9. SECURE SIDE FRAMES IF APPLICABLE

To prevent the ends of the frames from being distorted by the frame assembly screws, spacers are placed at each end of any frame that has adjacent side frames. During frame assembly, the screw will pass through the top frame and spacer, then into the side frame.

Secure the side frames, plumb with the panels. Cap the holes with button plugs.

## 10. ATTACH VALANCE

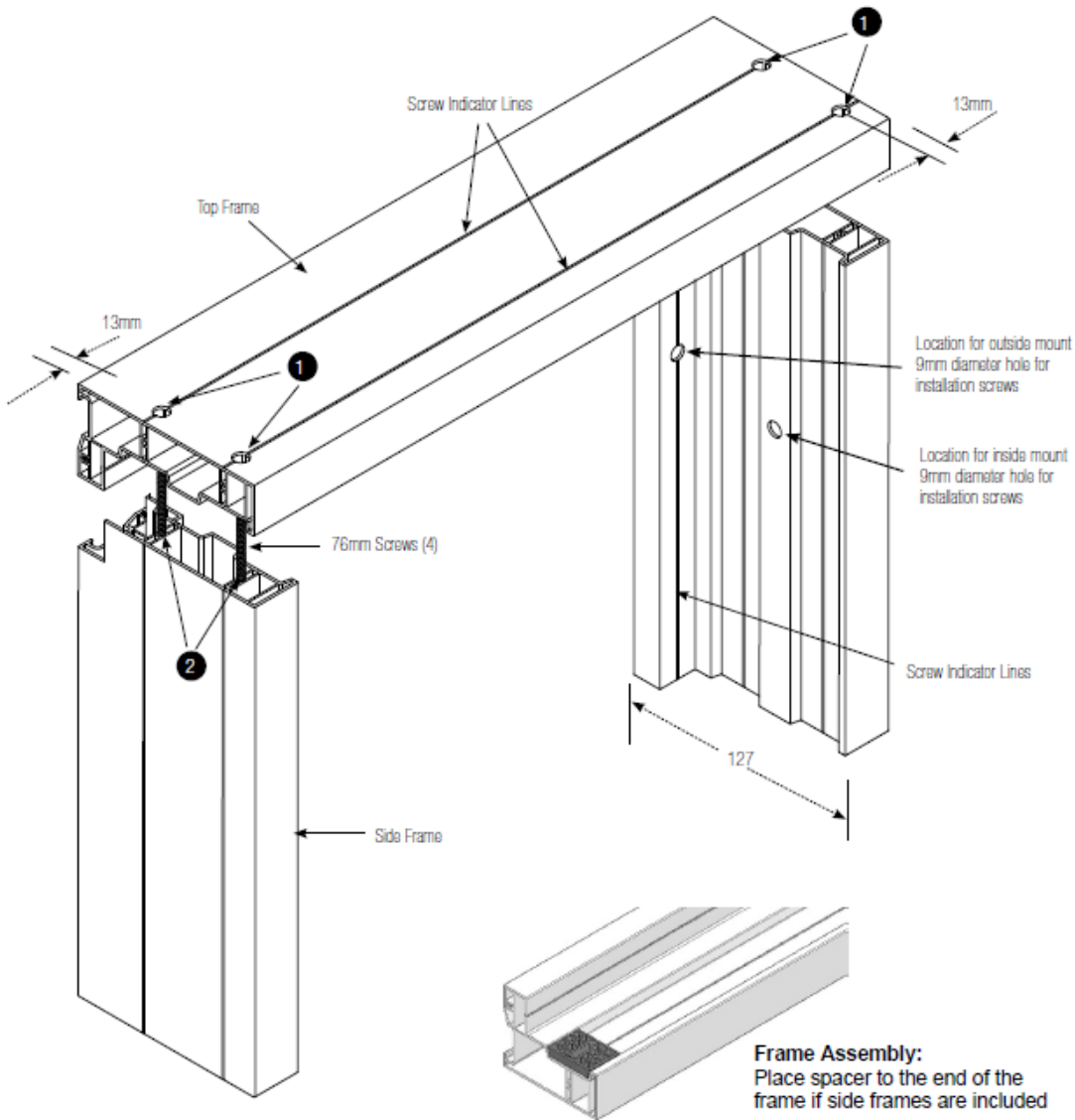
Attach valance brackets to the front of the frame. Once all brackets are secure, position the channel on the back of the valance so that it rests on the bracket. The valance will need to be on a 45 degree angle, with the bottom of the valance further into the room. Rotate the valance down to a vertical orientation until locked into all brackets. Returns can be attached using the same bracket or glued in place using a corner key and loctite glue.

## 11. BOTTOM TRACKS

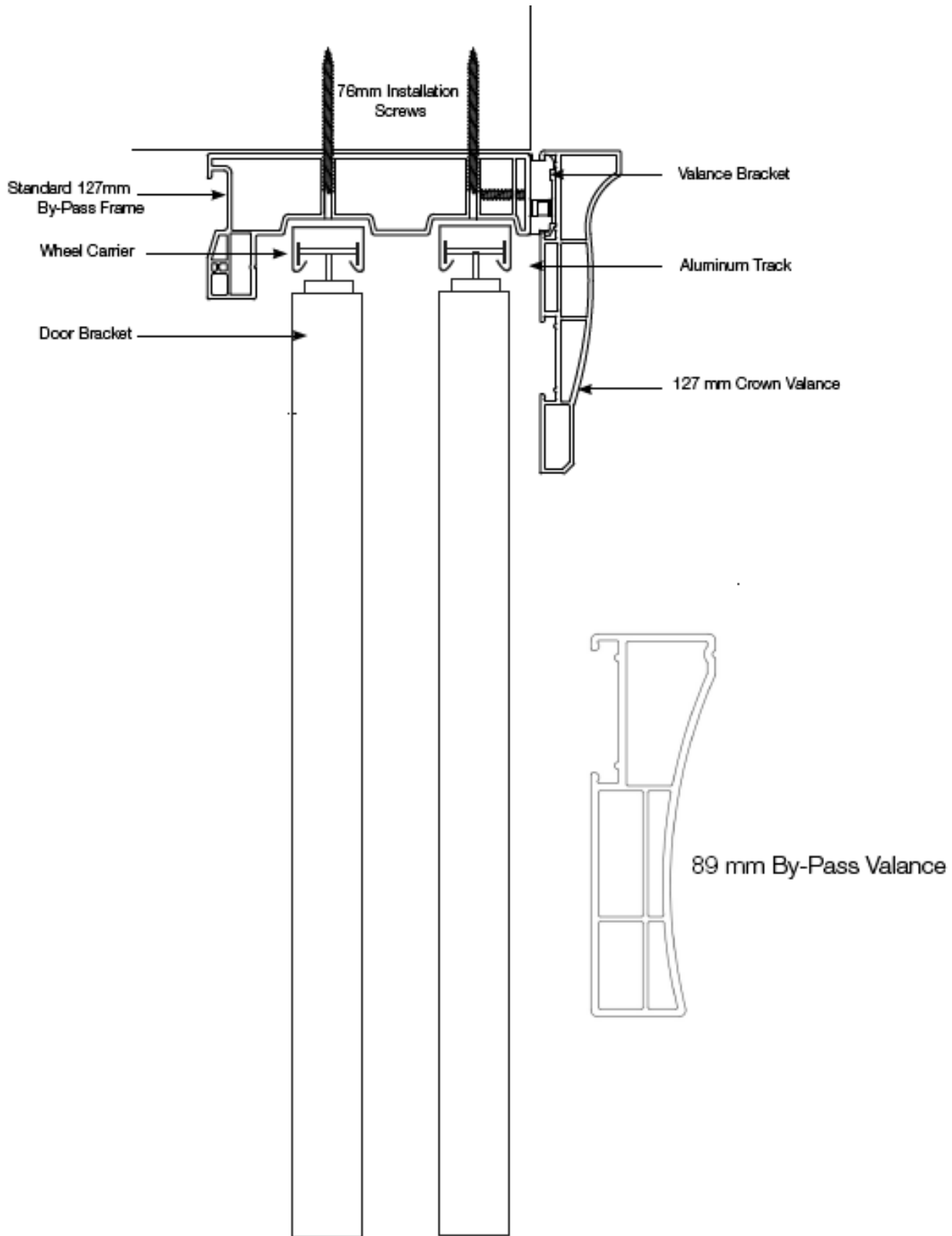
Install bottom tracks plumb with the centre of the top tracks. Use either the screws provided or silicon along the centre of the track. Insert two spring loaded bottom guides into the bottom of each panel and then engage into the bottom

## SLIDING SHUTTERS FRAME ASSEMBLY

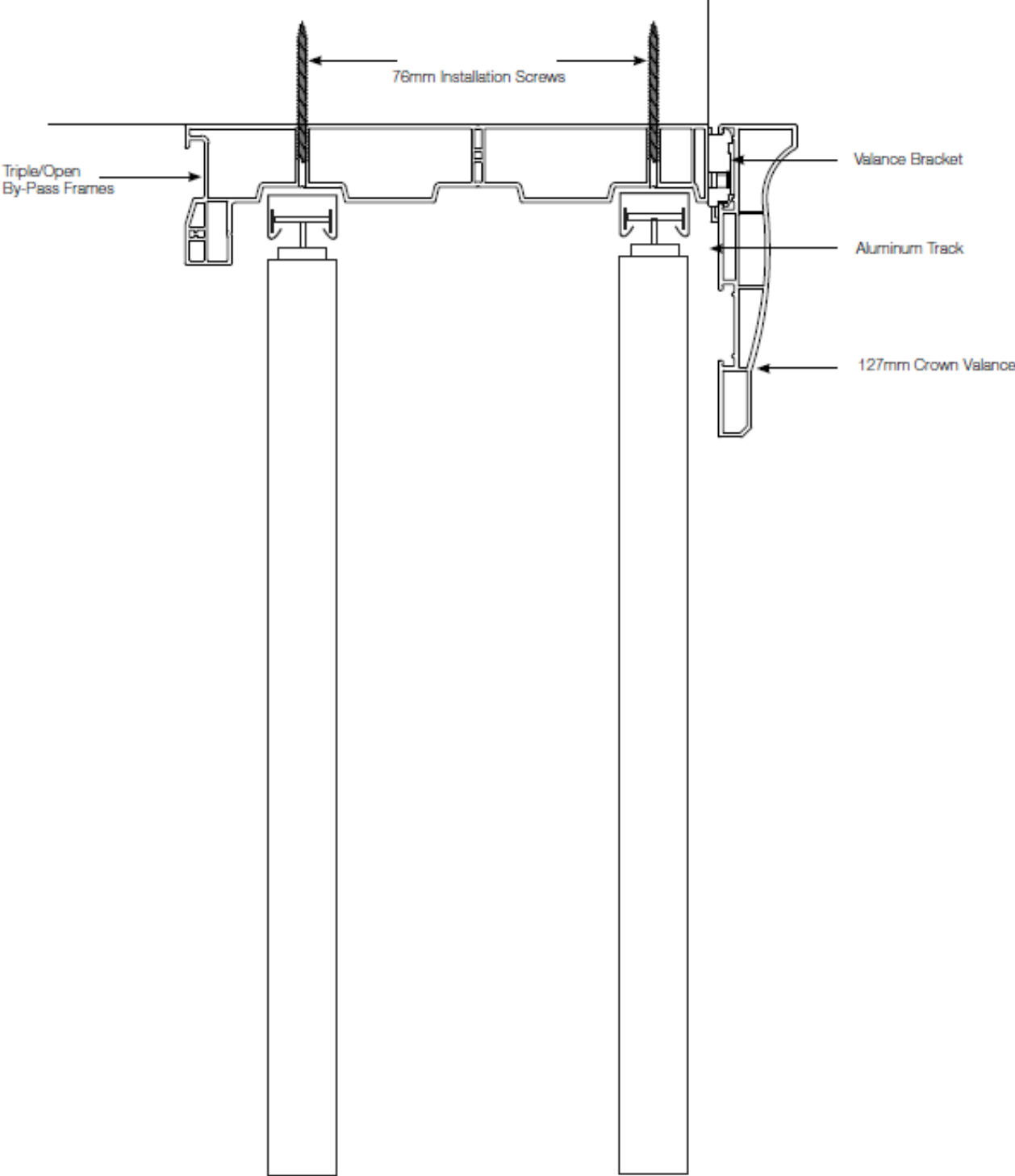
1. Insert the provided 3 screws through the top frame
2. Line up the screw through the screw ports inside the side frames (fasten tightly)



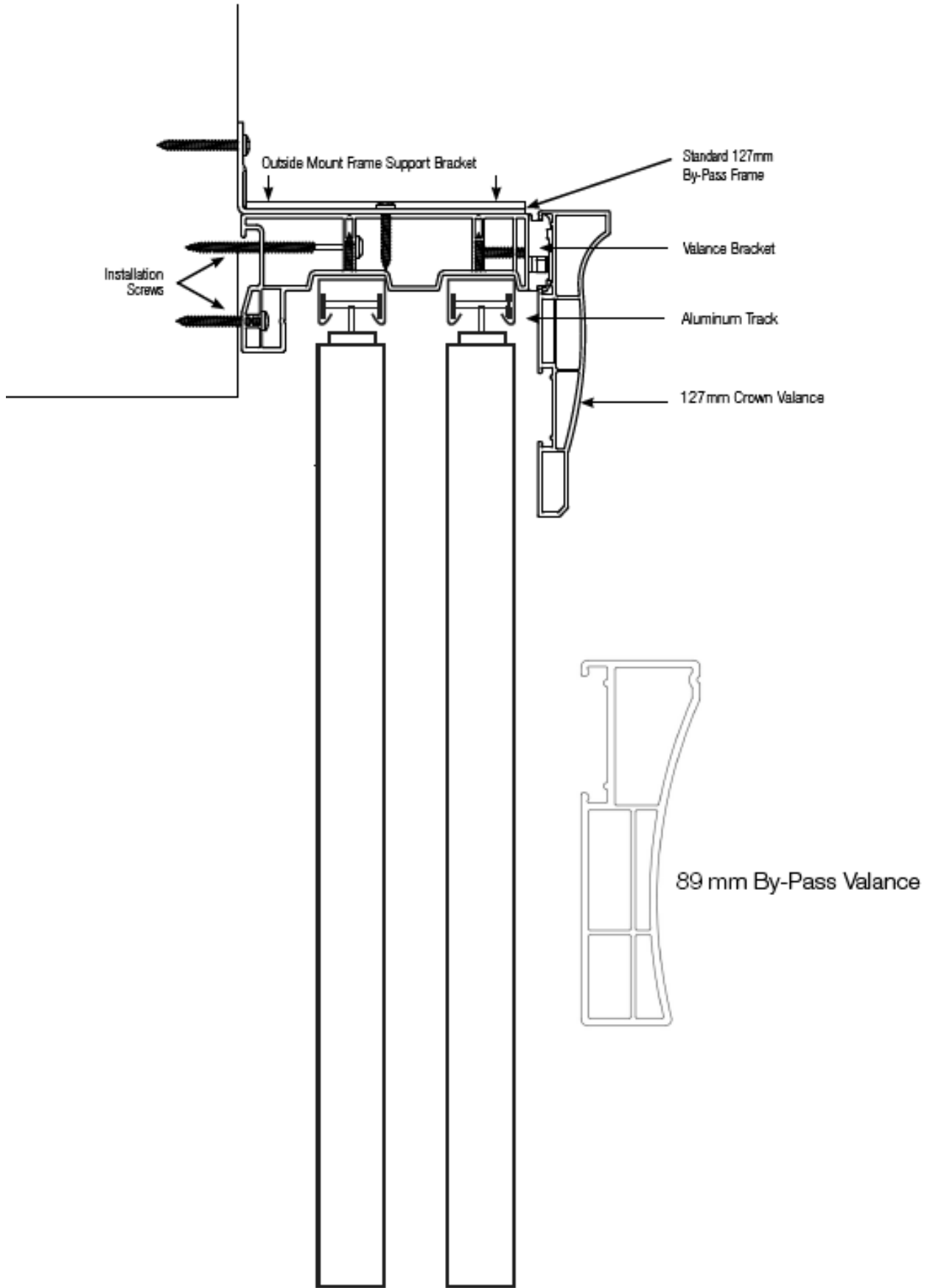
# SLIDING SHUTTERS RECESS MOUNT APPLICATION



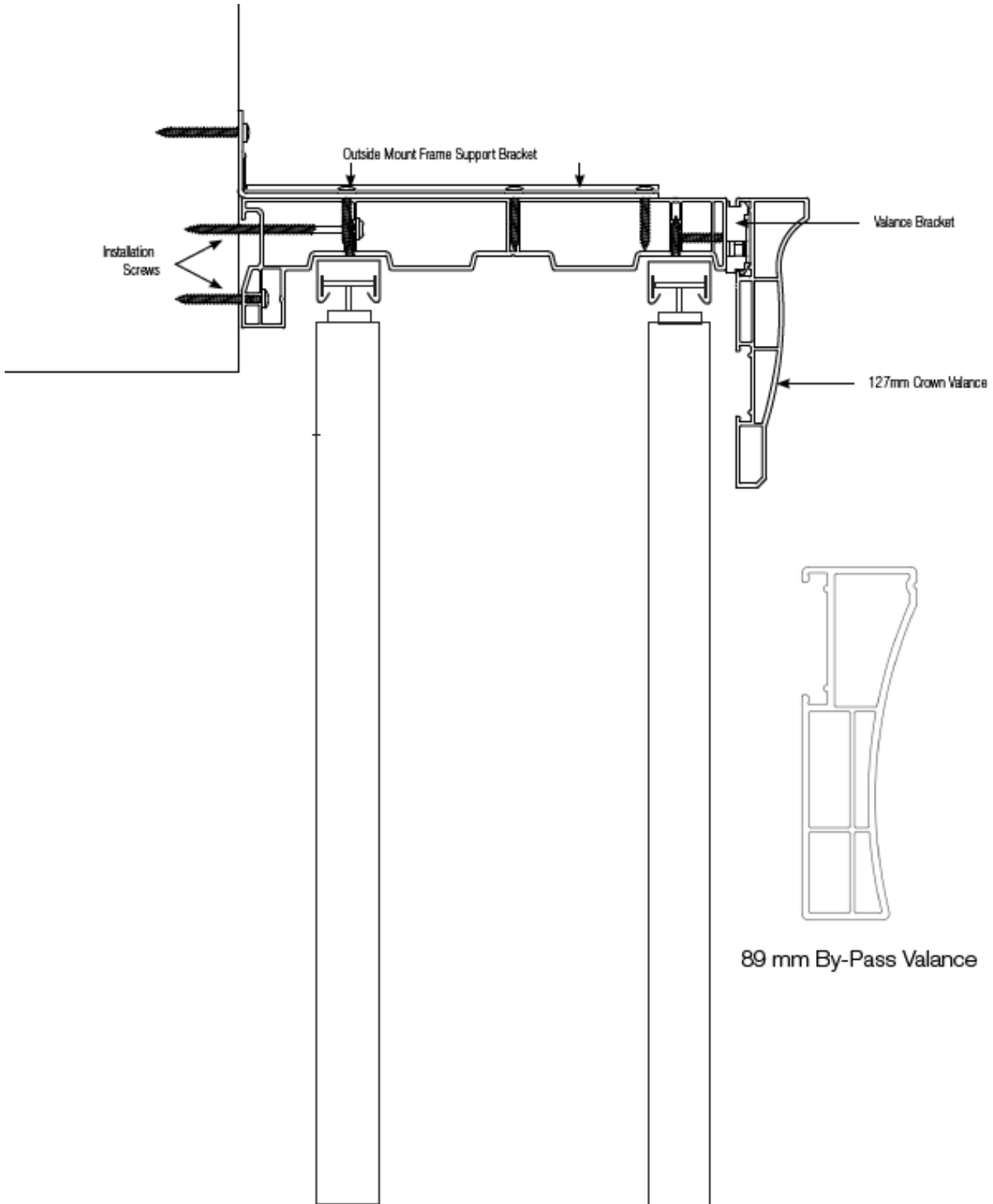
# SLIDING SHUTTERS RECESS MOUNT APPLICATION



# SLIDING SHUTTERS FACE MOUNT APPLICATION



# SLIDING SHUTTERS FACE MOUNT APPLICATION



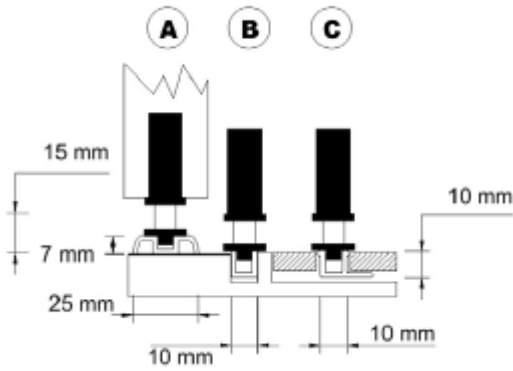
# SLIDING SHUTTERS BOTTOM TRACKS

## Internal Tracks

A. This is a standard track supplied. Installed on top of carpets, tiles etc.

B. Recess track.

C. Recess track used before laying tiles.

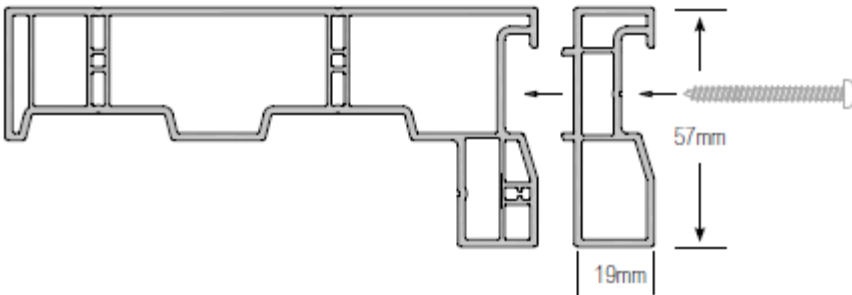




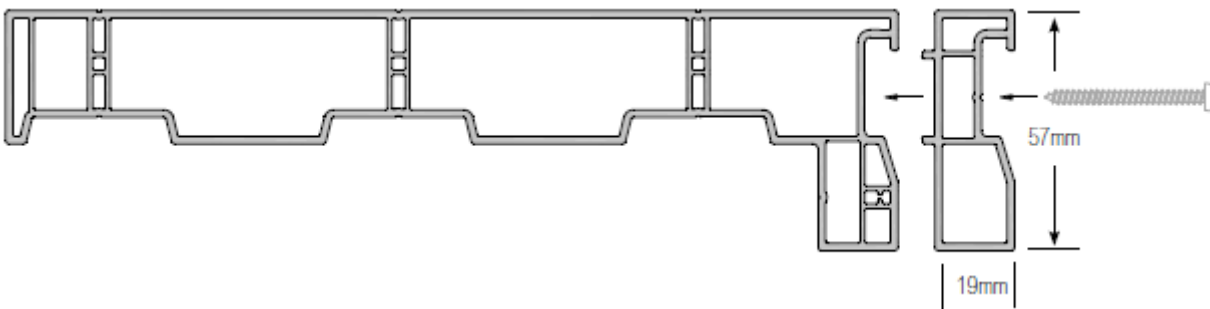
## SLIDING SHUTTERS FRAME EXTENSION

1. The Track Frame Extension is used for SLIDING, SLIDING open, Triple SLIDING and Bi-Fold frame systems.
2. Track Frame Extension increases the projection of the shutter by 19mm.
3. Orient the extension so that it mates with the back of the frame. Use an installation screw to attach the extension to the frame, as shown below

SLIDING Frame Extension increases the projection of the frame by 19mm.

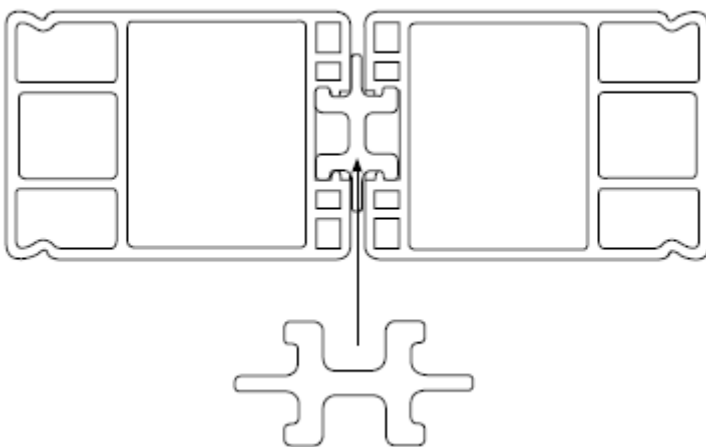


SLIDING Open Frame with Extension

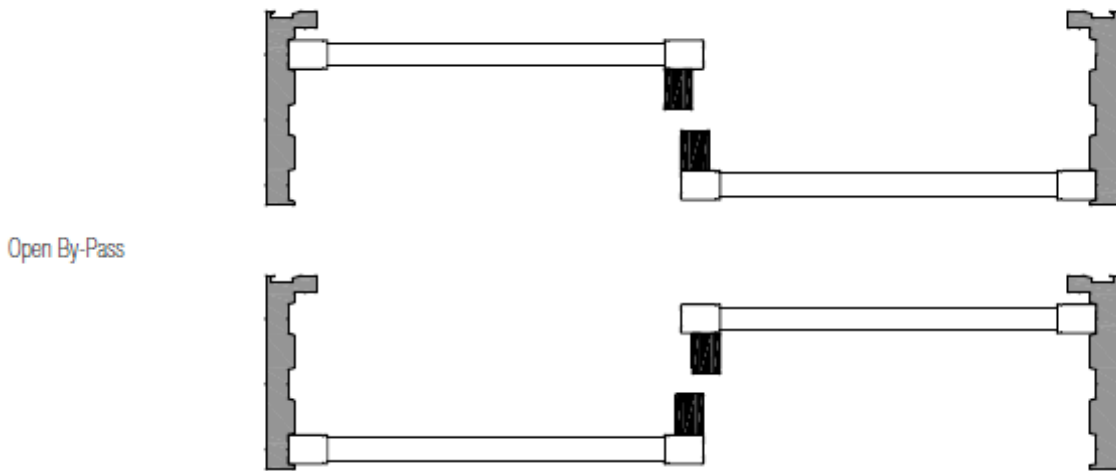


## SLIDING SHUTTERS PANEL JOINER

The panel joiner slides into the grooves on the side of the Vertical Jamb. This joiner connects two panels so that they move as a single unit in the opening.



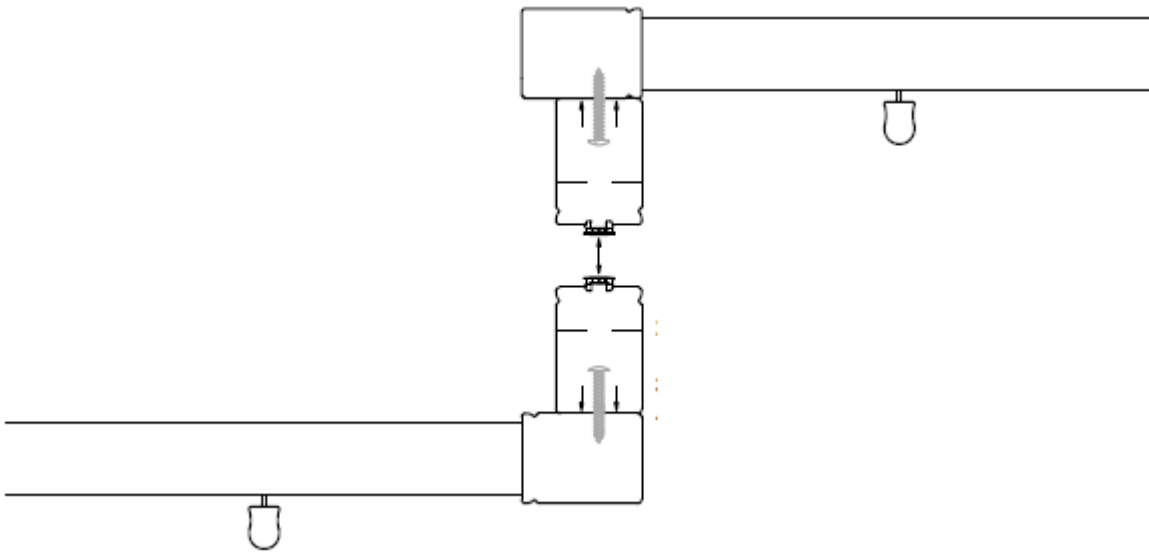
## SLIDING SHUTTERS LIGHT BLOCK BETWEEN PANELS



## SLIDING SHUTTERS ASSEMBLY OF LIGHT BLOCK BETWEEN PANELS

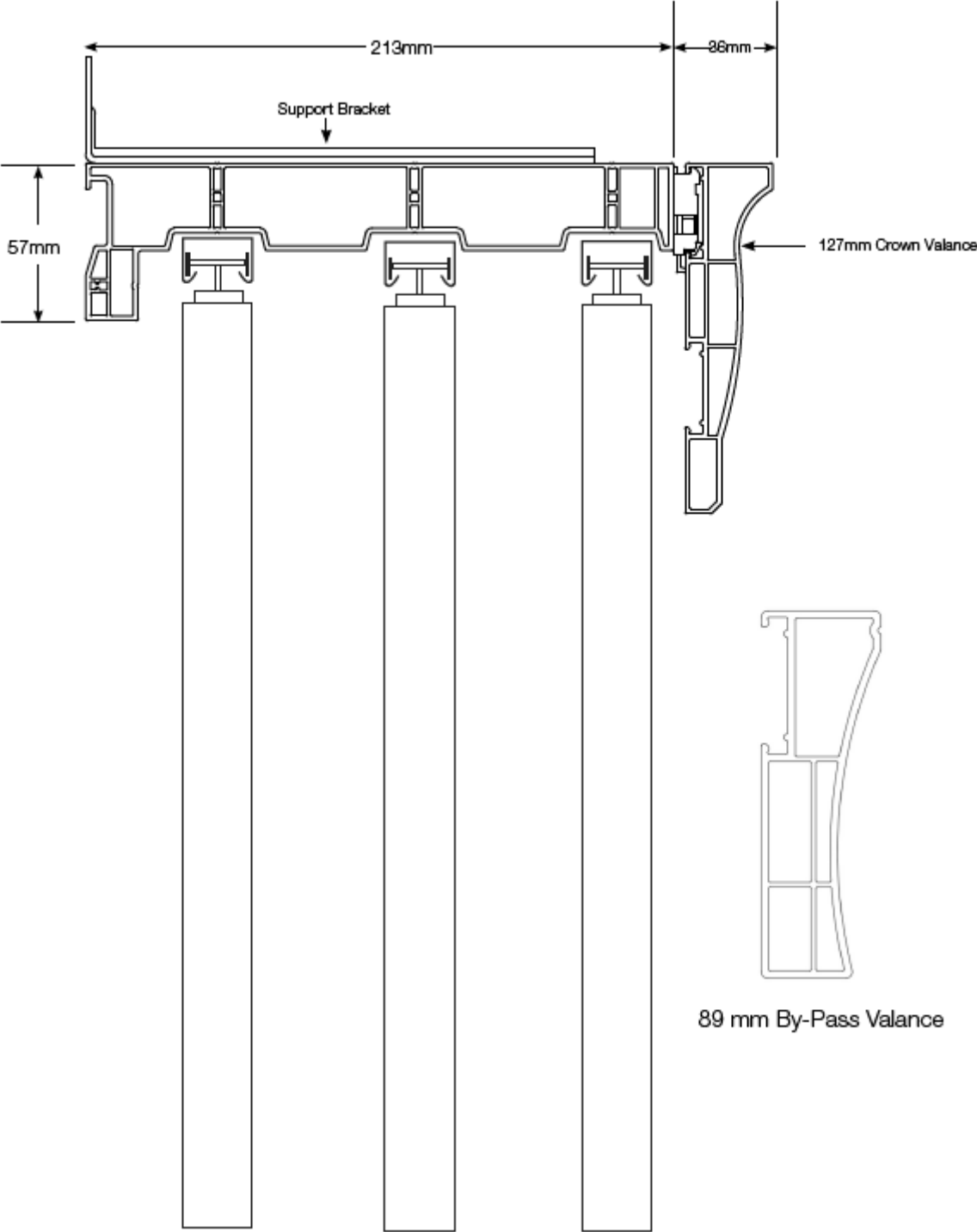
Top view – assembly of light block between Open SLIDING Panels

1. Orient the vertical jamb as shown (left).
2. Drill 9mm holes every 500mm from the top through the first two layers.
3. Screw Light block to jamb.
4. Cap holes with button plugs.



# TRIPLE SLIDING SHUTTERS TRACK SYSTEM

## DIAGRAM



# TRIPLE SLIDING SHUTTERS INSTALLATION INSTRUCTIONS

## 1. FRAME ASSEMBLY

If this is a 2, 3 or 4 sided application, then refer to Diagram C for frame assembly instructions. Once the frames are assembled, installation holes are required by using a 10mm drill bit.

- A. For an inside mount, drill a 10mm hole through the first layer of vinyl, within the mounting area every 250mm starting at each end of the frames.
- B. For an outside mount, drill a 10mm hole through the first layer of vinyl at the front edge of the reveal of the frame every 250mm.

## 2. TOP FRAME INSTALLATION

- A. For an inside mount, fasten the top frame to the opening, making sure it is level; shim to level if necessary.
- B. For an outside mount, set the frame against the wall. Level the top and fasten the top frame to the wall with the provided installation screws.

## 3. WHEEL CARRIERS

Insert wheel carriers inside each aluminium track. Two carriers are assigned to each panel so check the panel configuration to determine the correct number of carriers in each track.

## 4. ALUMINUM TRACKS

Mount aluminium tracks to the extreme left of the opening of the frame by screwing through the pre-drilled holes in the track to the extrusion lines on the underside of the top frame (See Diagram D and Diagram E).

## 5. ATTACH DOUBLE PANELS IF APPLICABLE

When two panels are to be attached, lay panels face up and side by side on the floor. Remove the two interior top jamb caps. Insert the panel joiner by sliding it into the two interior jambs (See Diagram G). Place the jamb caps back onto the top jambs.

## 6. ATTACH LIGHT BLOCK FOR OPEN SLIDING

2 pieces of vertical jamb will be supplied for every overlap when Open Sliding is ordered. One piece of vertical jamb is mounted at the back of the interior edge of the front panel, while the second piece is mounted at the front interior edge of the rear panel. For either option, drill a 10mm hole starting at the top, every 500mm through the first two layers of vinyl. Screw the vertical jamb to the panel and cap holes with button plugs.

## 7. HANG SHUTTERS

Push the door plates onto the adjustable nut of the wheel carriers.

## 8. LEVEL PANELS

Adjust one panel in line with the window mullion, adjust the other panels in line with this panel. Now lock the panels by tightening the 11mm lock nut.

## 9. SECURE SIDE FRAMES IF APPLICABLE

To prevent the ends of the frames from being distorted by the frame assembly screws, spacers are placed at each end of any frame that has adjacent side frames. During frame assembly, the screw will pass through the top frame and spacer, then into the side frame. Secure the side frames, plumb with the panels. Cap the holes with button plugs.

## 10. ATTACH VALANCE

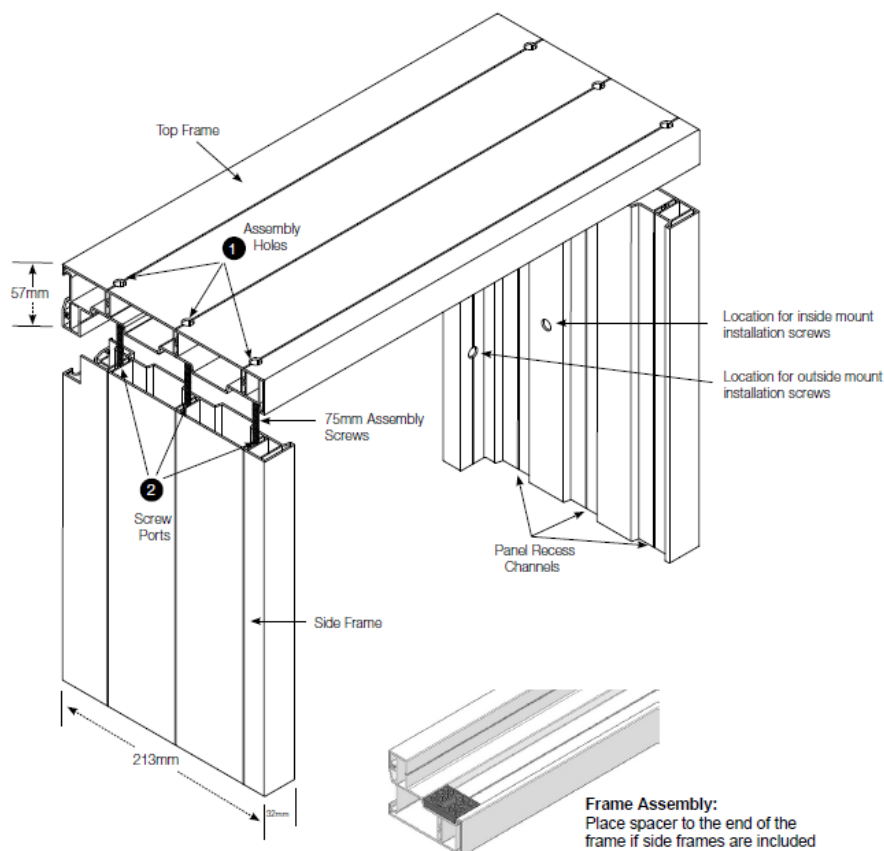
Attach valance brackets to the front of the frame. Once all brackets are secure, position the channel on the back of the valance so that it rests on the bracket. The valance will need to be on a 45 degree angle, with the bottom of the valance further into the room. Rotate the valance down to a vertical orientation until locked into all brackets. Returns can be attached using the same bracket or glued in place using a corner key and loctite glue.

## 11. BOTTOM TRACKS

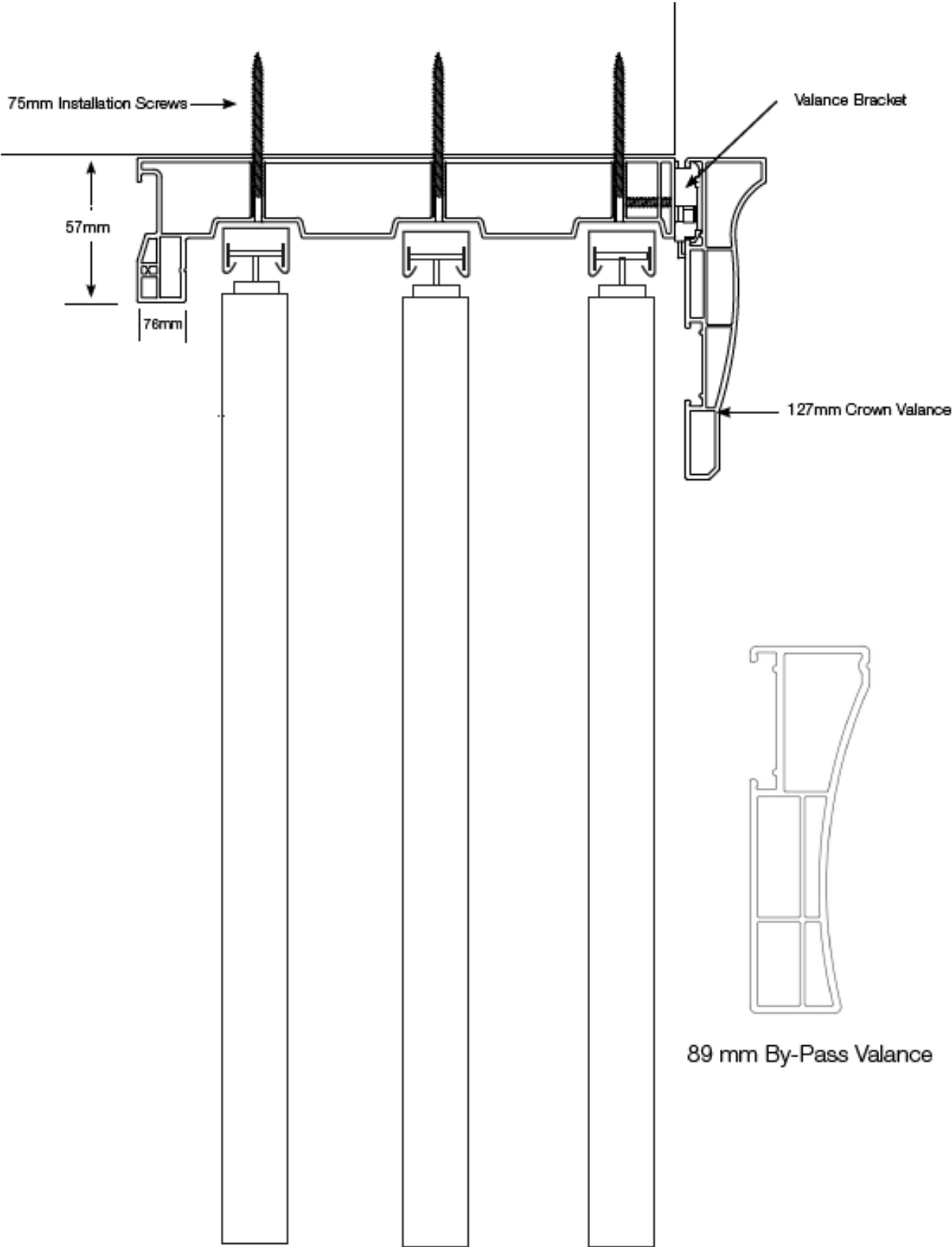
Install bottom tracks plumb with the centre of the top tracks. Use either the screws provided or silicon along the centre of the track. Insert two spring loaded bottom guides into the bottom of each panel and then engage into the bottom track.

## SLIDING SHUTTERS - FRAME ASSEMBLY

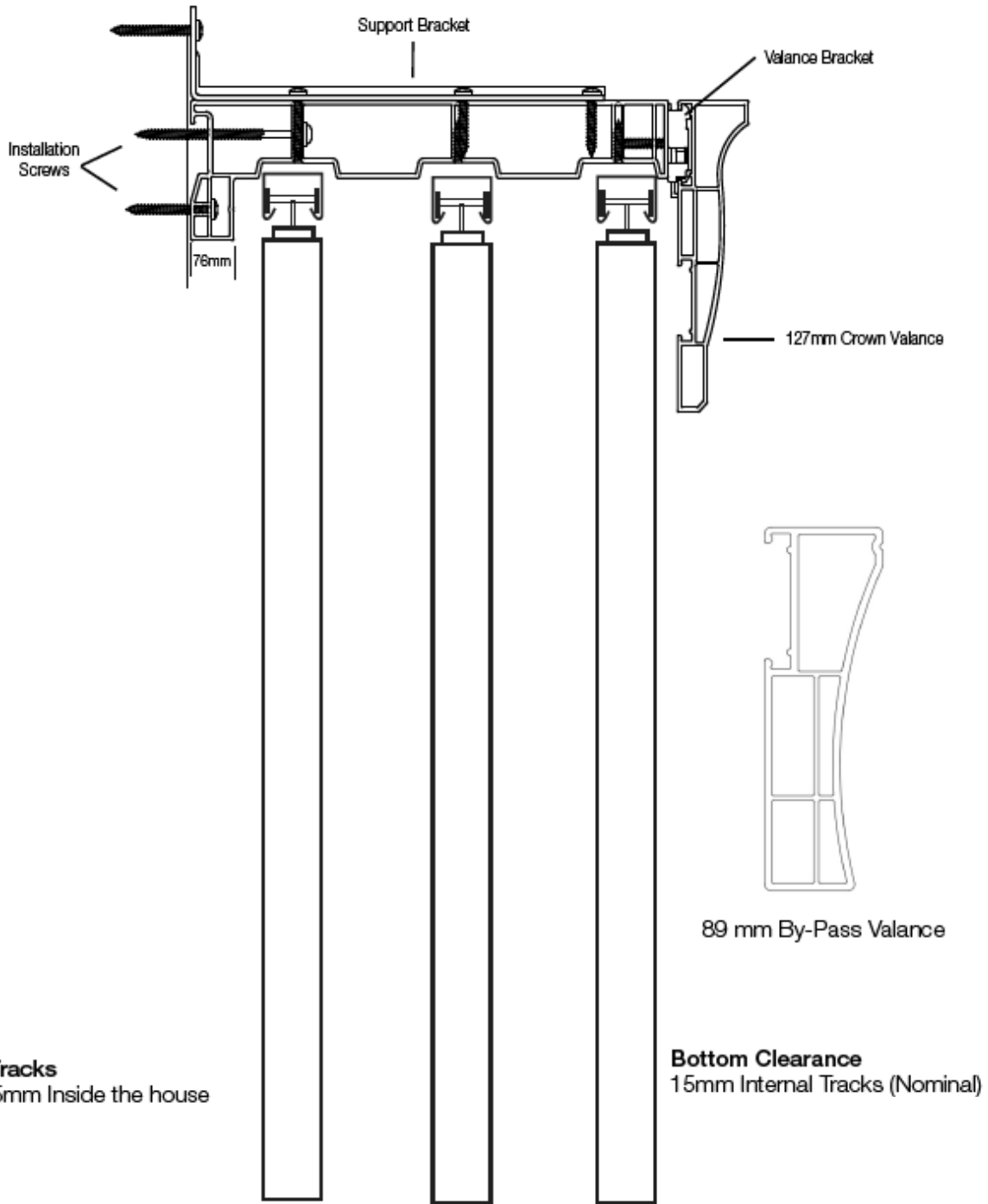
- Insert the provided 75mm screws through the top frame
- Line up the screw through the screw ports inside the side frames (fasten tightly)



# SLIDING SHUTTERS - RECESS MOUNT APPLICATION



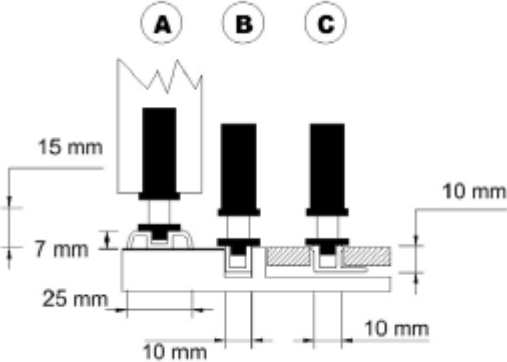
# SLIDING SHUTTERS - FACE MOUNT APPLICATION



# SLIDING SHUTTERS BOTTOM TRACKS

## Internal Tracks

- A. This is a standard track supplied. Installed on top of carpets, tiles etc.
- B. Recess track.
- C. Recess track used before laying tiles.

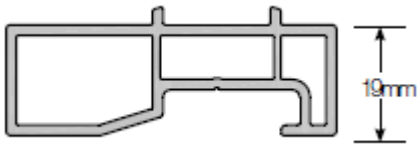




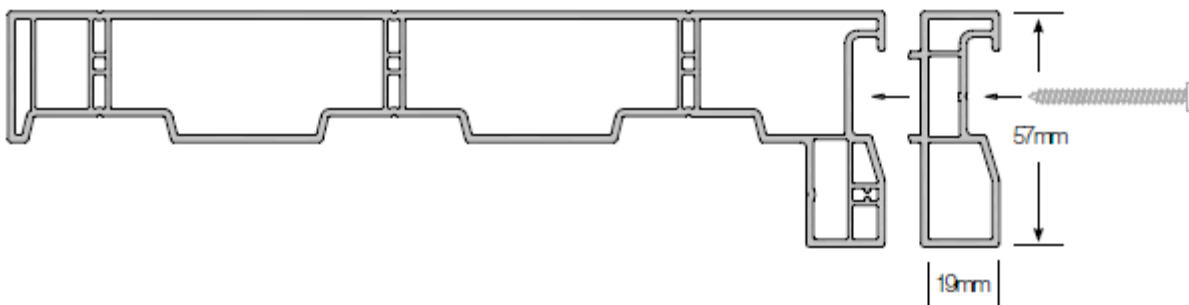
## SLIDING SHUTTERS - FRAME EXTENSION

1. The Track Frame Extension is used for SLIDING, SLIDING Open, Triple SLIDING and Bi-Fold frame systems.
2. Track Frame Extension increases the projection of the shutter by 19mm.
3. Orient the extension so that it mates with the back of the frame. Use an installation screw to attach the extension to the frame, as shown below.

Triple SLIDING Frame Extension increases the projection of the frame by 76mm.

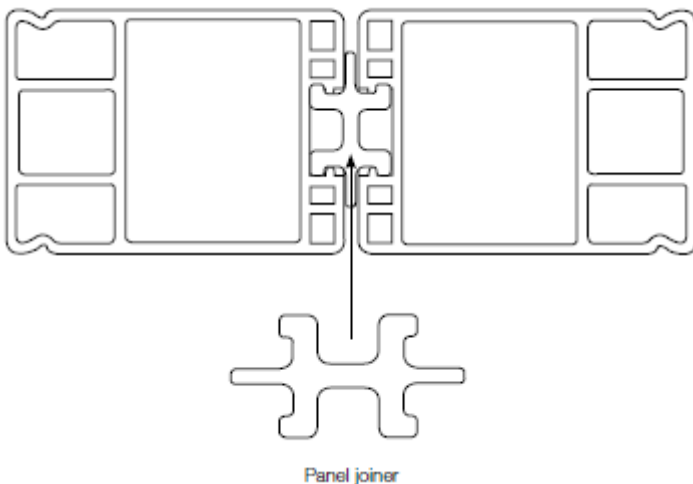


Triple SLIDING Frame with Extension

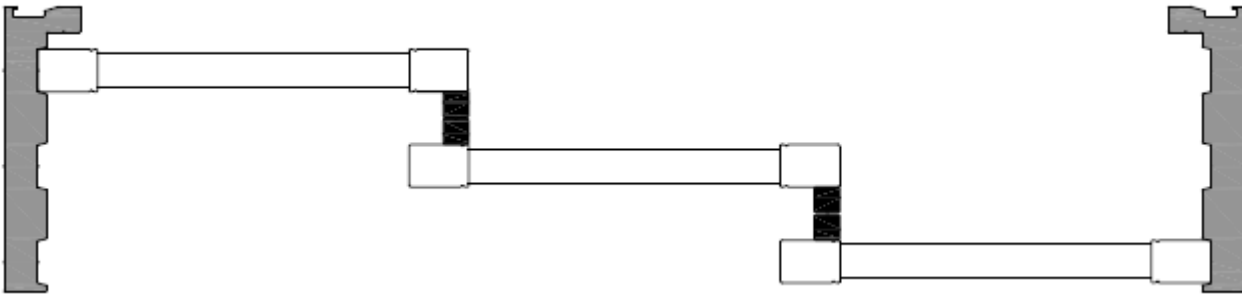


## SLIDING SHUTTERS - PANEL JOINER

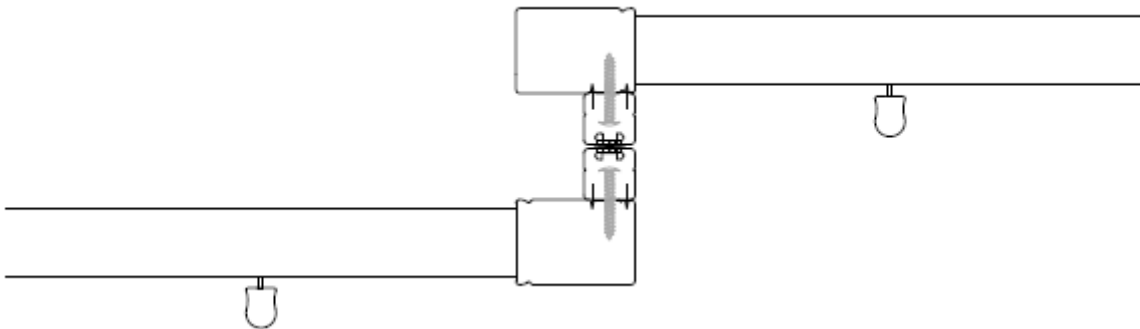
The panel joiner slides into the grooves on the side of the Vertical Jamb. This joiner connects two panels so that they move as a single unit in the opening.



## SLIDING SHUTTERS - LIGHT BLOCK BETWEEN PANELS



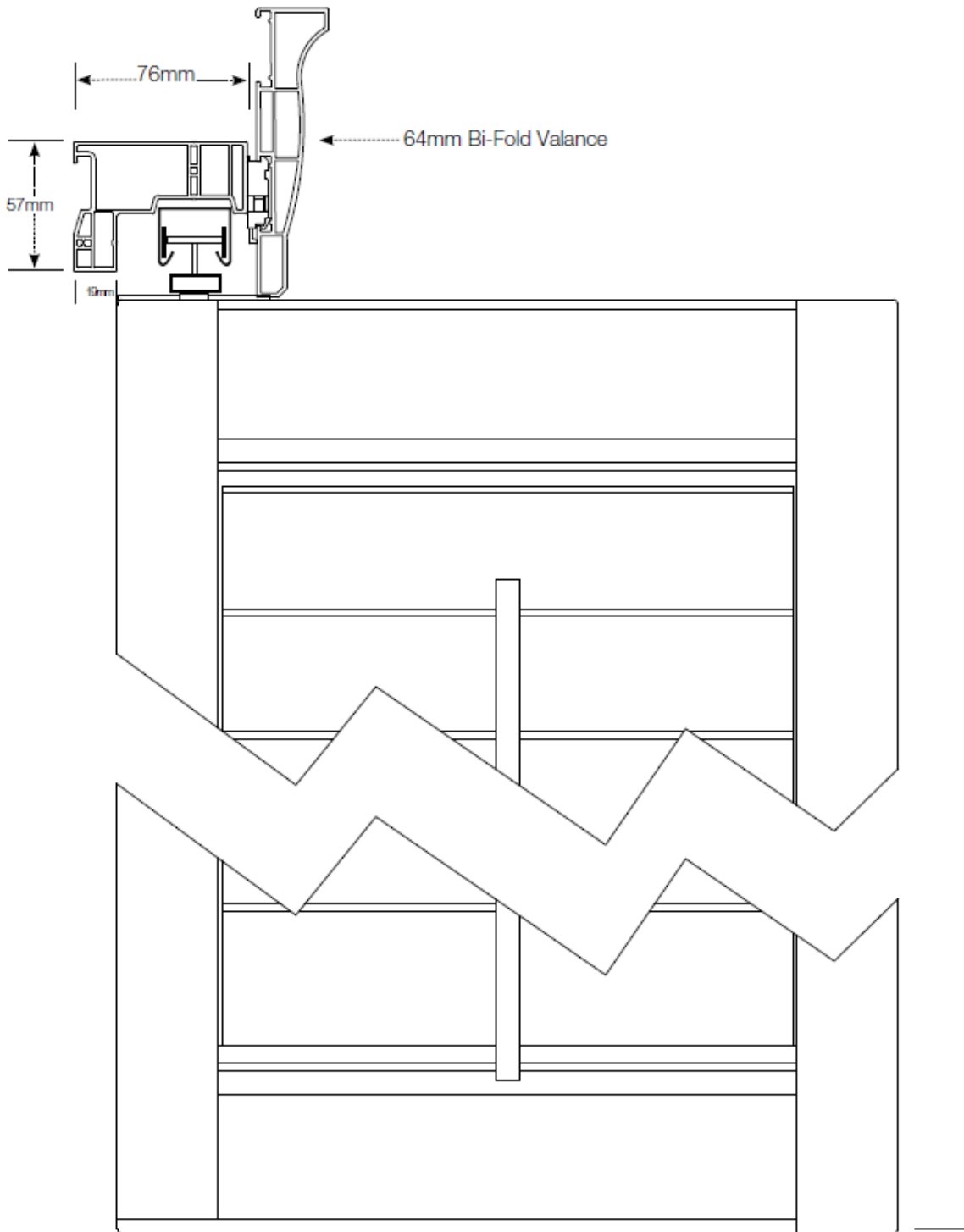
Top view – assembly of light block between Triple SLIDING panels



1. Orient the mounting strip as shown
2. Drill 10mm holes every 500mm from the top through the first two layers
3. Set #8 x 25mm SLIDING screws
4. Cap hole with button plugs

# BI-FOLD TRACK SYSTEM

## DIAGRAM



Clearance  
15mm Internal Tracks (Nominal)

# BI-FOLD SHUTTERS INSTALLATION INSTRUCTIONS

## 1. FRAME ASSEMBLY

If this is a 2,3 or 4 sided application go to diagram on the following page for frame assembly instructions. Once the frames are assembled, installation holes are made using a 10mm drill bit.

- A. For a Recess mount drill a 10mm hole through the first layer of vinyl, within the mounting area every 250mm starting at each end of the frames.
- B. For a Face mount, drill a 10mm hole through the first layer of vinyl at the front edge of the frame every 10mm.

## 2. FRAME INSTALLATION

- A. For a Recess mount, fasten the top of the frame to the opening and level. To prevent the ends of the frames from being distorted by the frame assembly screws, spacers are placed at each end of any frame that has adjacent side frames. During frame assembly, the screw will pass through the top frame and spacer, then into the side frame. Plumb the side frames and fasten with screws.
- B. For a Face mount. Set the frame against the wall. Level the top and screw the frame to the wall.
- C. Securing side frames if applicable.

## 3. ASSEMBLING OF ALUMINIUM TRACK AND COMPONENTS

- A. If the configuration has all the panels stacking to one side, then install the pivot on the stacking side (See Diagram D and Diagram E). insert all the wheels (one for every two panels).
- B. If the configuration has the panels stacking to both sides of track, insert the proper number of wheel carriers. Install the top pivot at both ends (See Diagram D and Diagram E).
- C. If it is a floating system then there are no pivots, insert wheels to the value of the number of panels less 1, for each bank of panels.

## 4. ALUMINIUM TRACK

Mount the track by screwing through the pre-drilled holes in the track into the screw line on the top frame.

## 5. MOUNT THE BOTTOM PIVOT

Mount to the side frame or to the wall, tight to the floor. Attached to the floor if possible (See Diagram D and Diagram E), in line with indicator line on same side as top pivot.

## 6. HANG PIVOTING PANEL(S)

First insert the top pin into the top pivot track plate, now adjust plate.

To plumb the panels, adjust either both the top track plate or the bottom plate. If the panel requires adjustment in height, then adjust the length of the bottom pin.

## 7. HANG REMAINING PANELS

Before hanging panels insert the bottom guides into the bottom of each panel that has a wheel at the top. Hang panels from the pivoting panels. Insert all hinge pins. Adjust the wheel carriers to level and then lock the 11mm nut.

## 8. BOTTOM TRACKS AND GUIDES

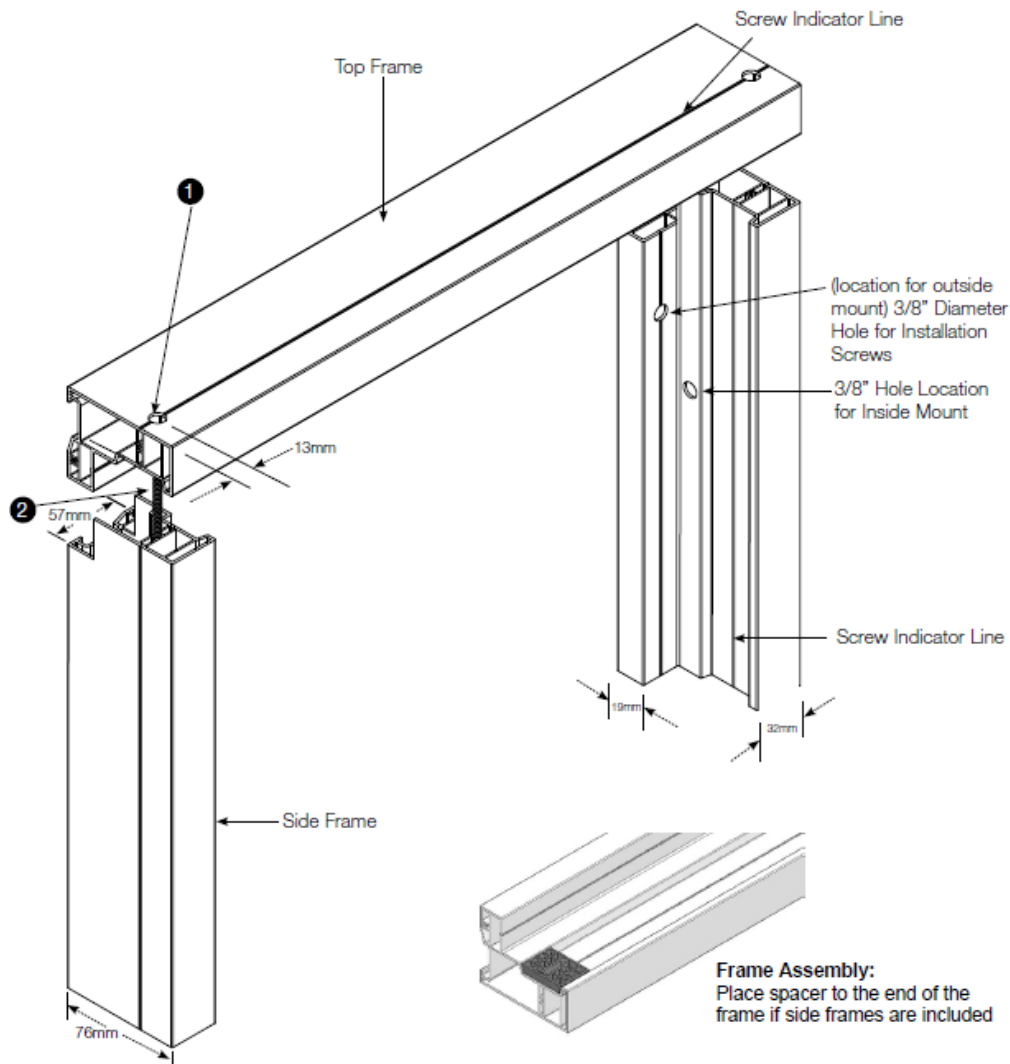
Align the bottom track between the pivots or in line with the screw indicator line on the side frames. Secure the track with either the screws supplied or silicon along the back of the track. Engage the bottom guides into the channel of the bottom tracks.

## 9. ATTACH VALANCE

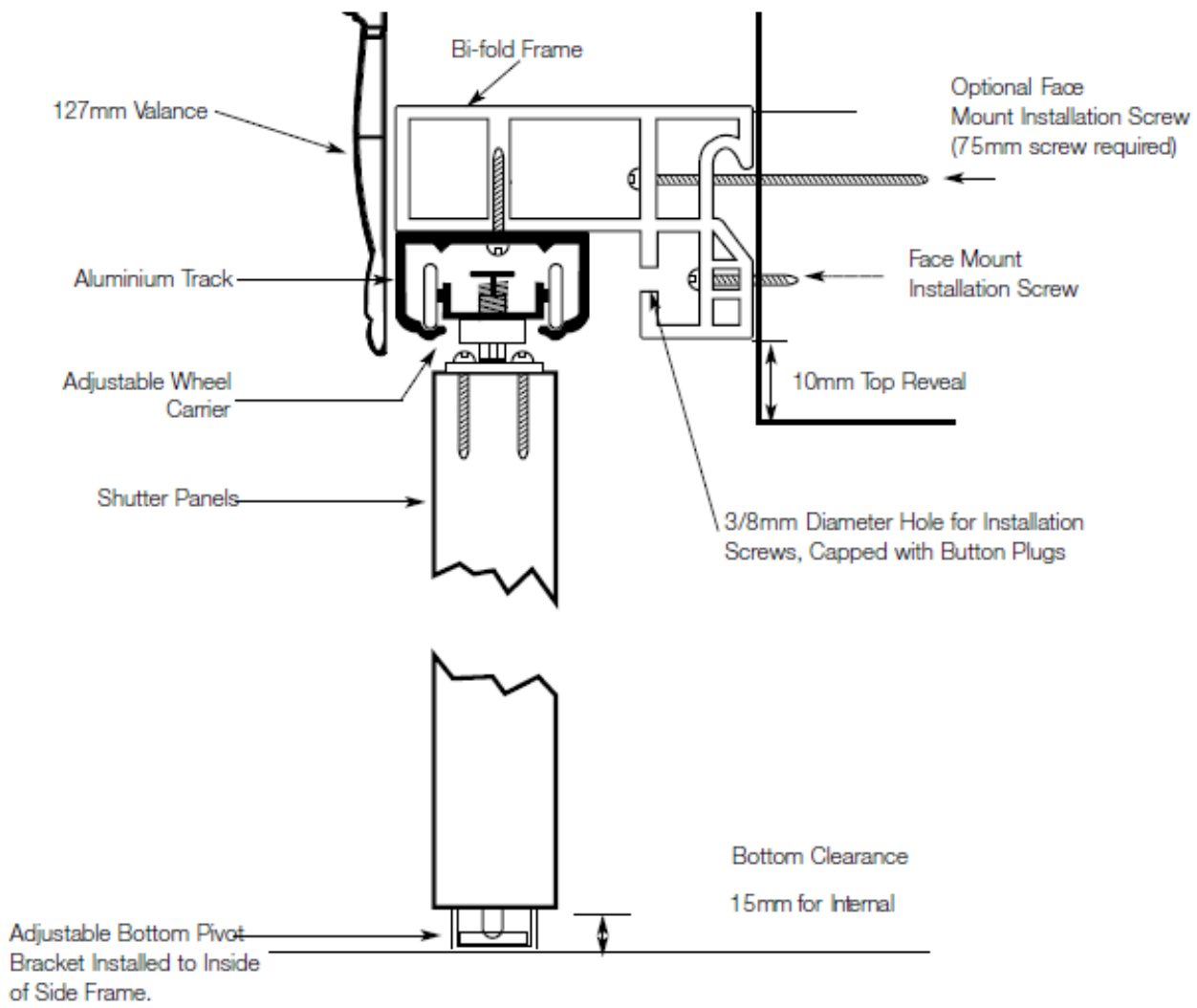
Attach valance brackets to the front of the frame using the #8 x 13mm screws. Once all brackets are secure, position the channel on the back of the valance so that it rests on the bracket. The valance will need to be on a 45" degree angle, with the bottom of the valance further into the room. Rotate the valance down to a vertical orientation until locked into all brackets. Returns can be attached using the same bracket or glued in place using a corner key and loctite glue.

## DIAGRAM

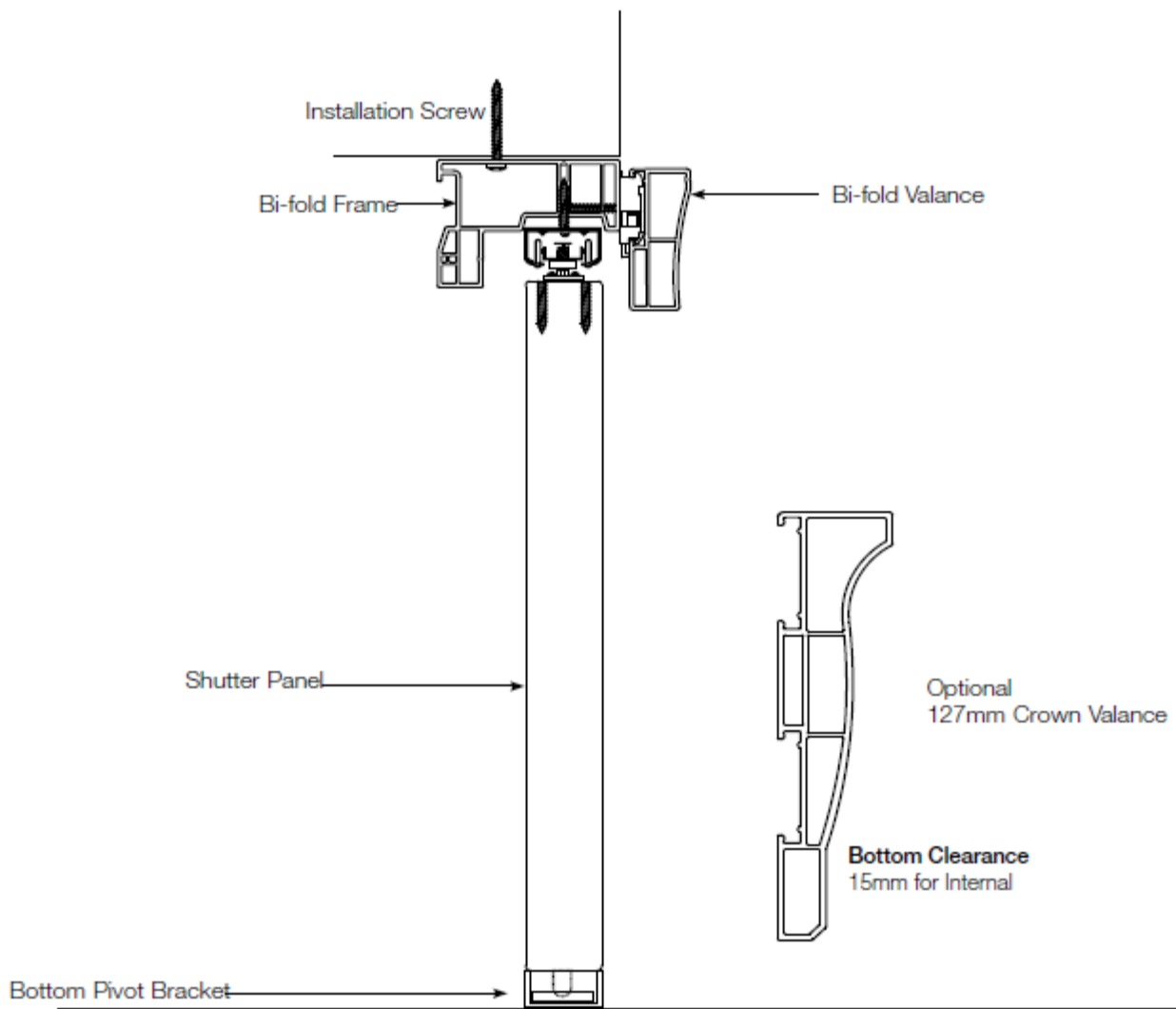
1. Insert 75mm screws through the top frame
2. Line up the screw through the screw ports inside the side frames (fasten tightly)



# BI-FOLD SHUTTERS DIAGRAM D - FACE MOUNT



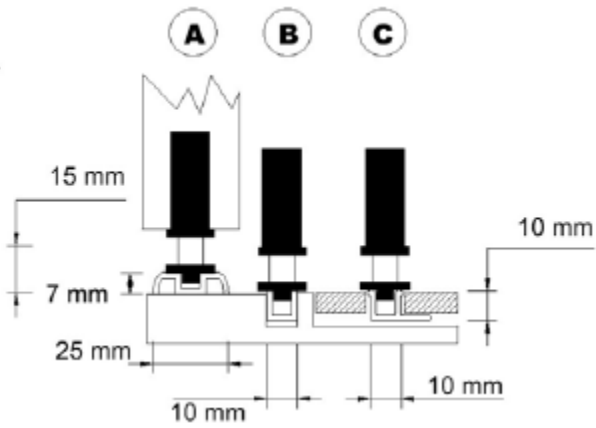
# BI-FOLD SHUTTERS DIAGRAM E - RECESS MOUNT



# BI-FOLD SHUTTERS BOTTOM TRACKS

## Internal Tracks

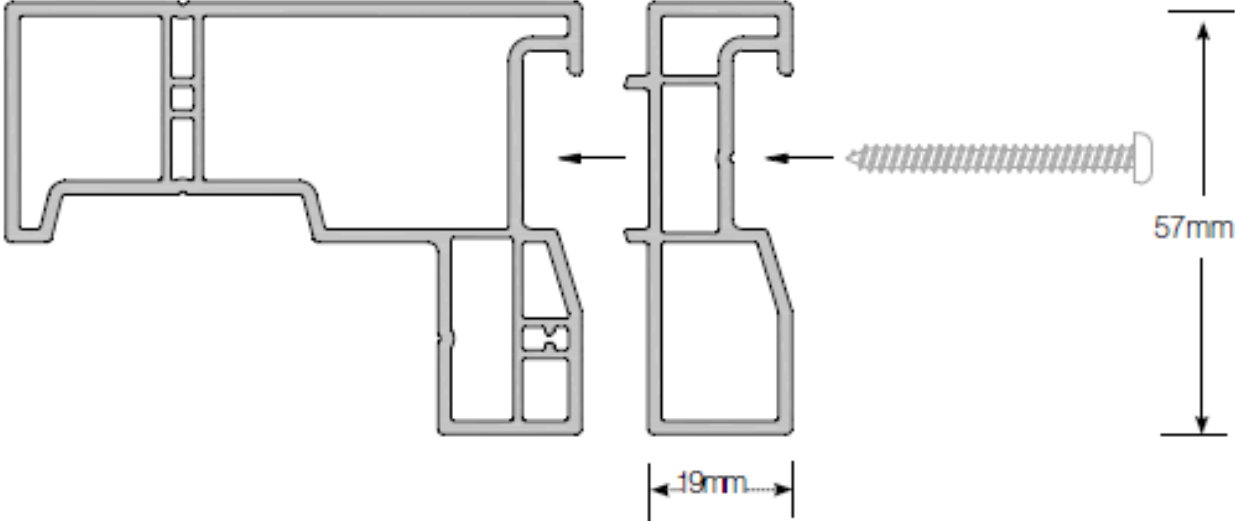
- A. This is a standard track supplied. Installed on top of carpets, tiles etc.
- B. Recess track.
- C. Recess track used before laying tiles.





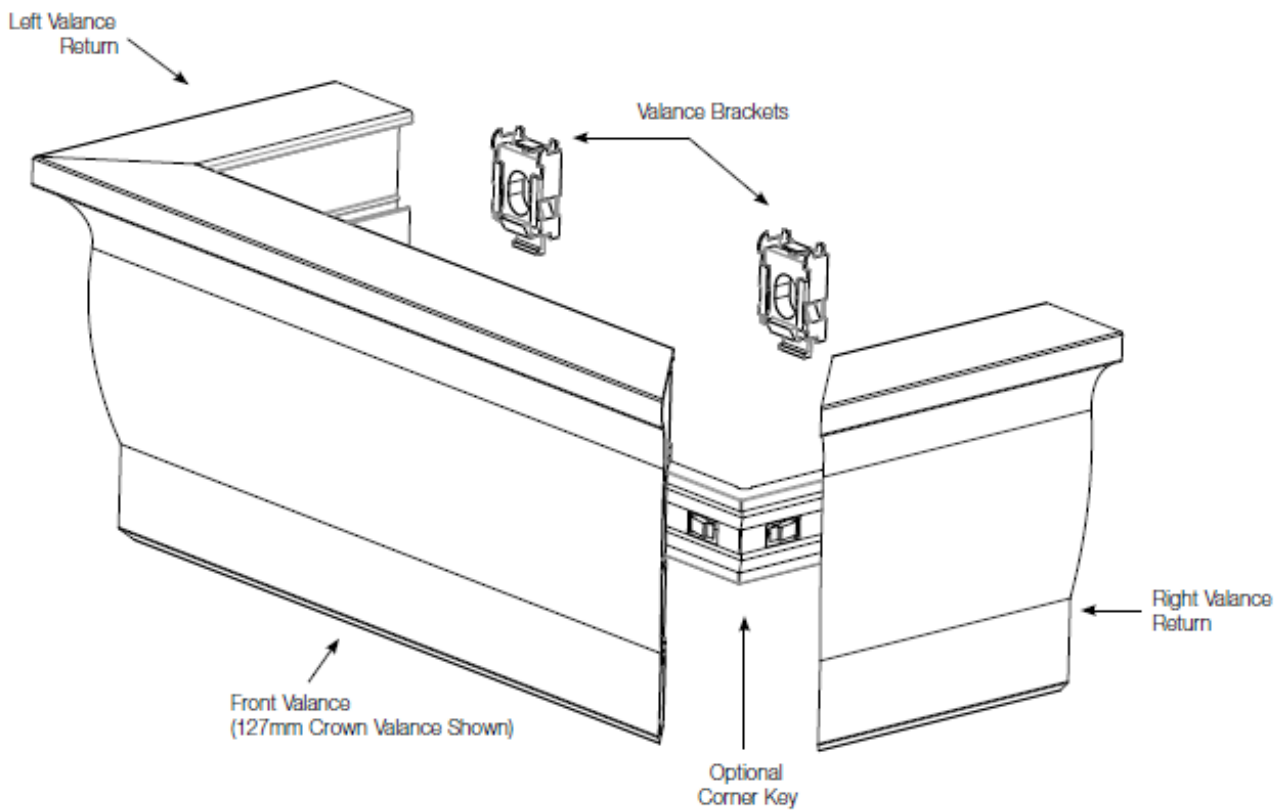
BI-FOLD SHUTTERS - FRAME EXTENSIONS

Bi-Fold with Extension



# TRACK SYSTEM VALANCES

## VALANCE DIAGRAM

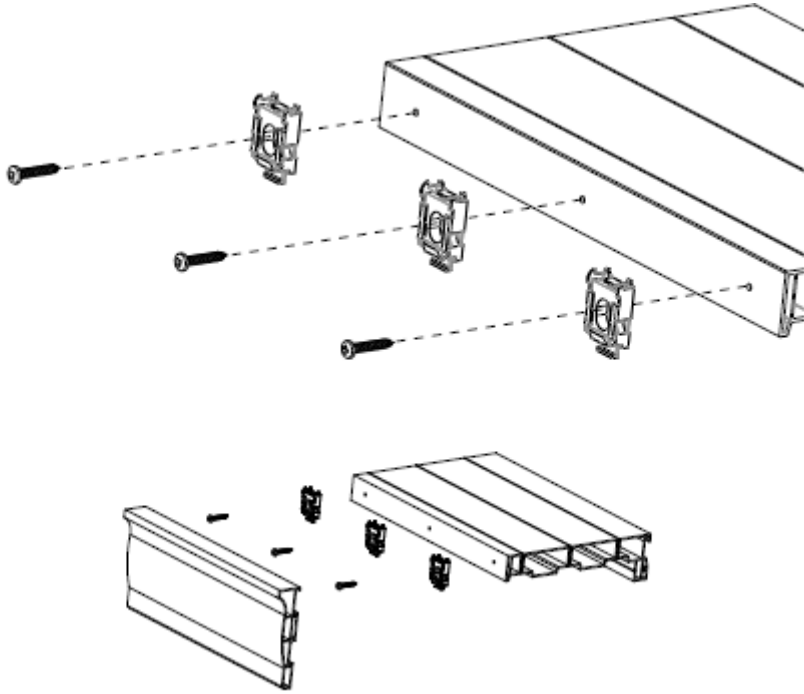


## FEATURES AND BENEFITS

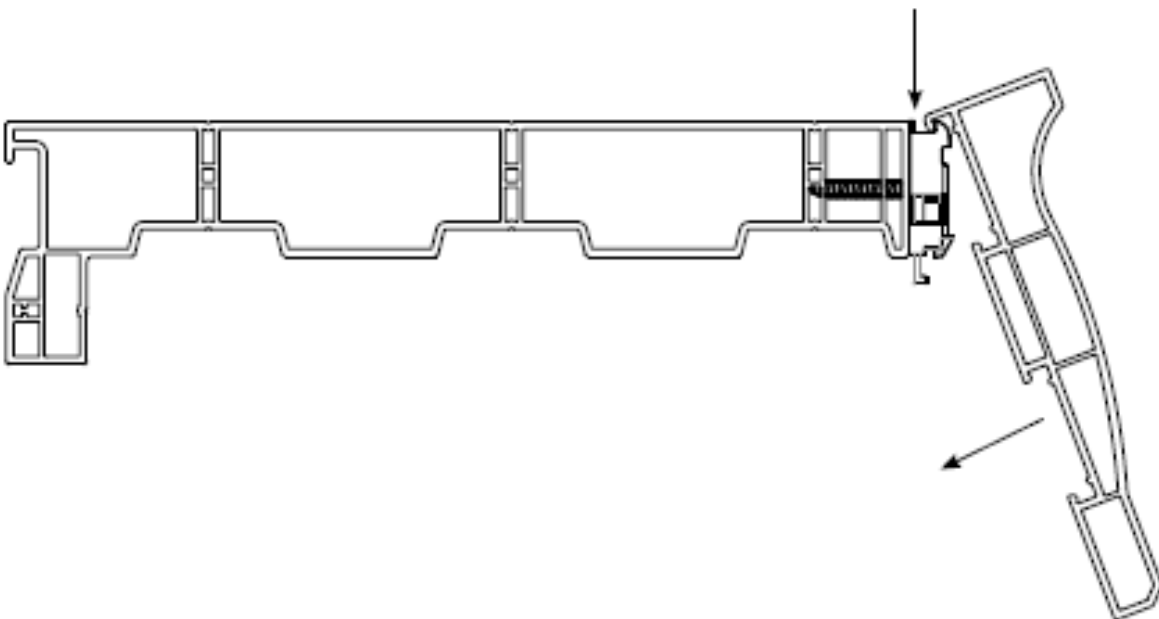
1. Three valance options available:
  - 127mm Crown Valance
  - By-pass Valance (89mm)
  - Bi-Fold Valance (64mm)
2. Corner keys can be used to assist in the assembly of valance returns.
3. Valance brackets used to attach valance assembly to frame.

# VALANCE INSTALLATION

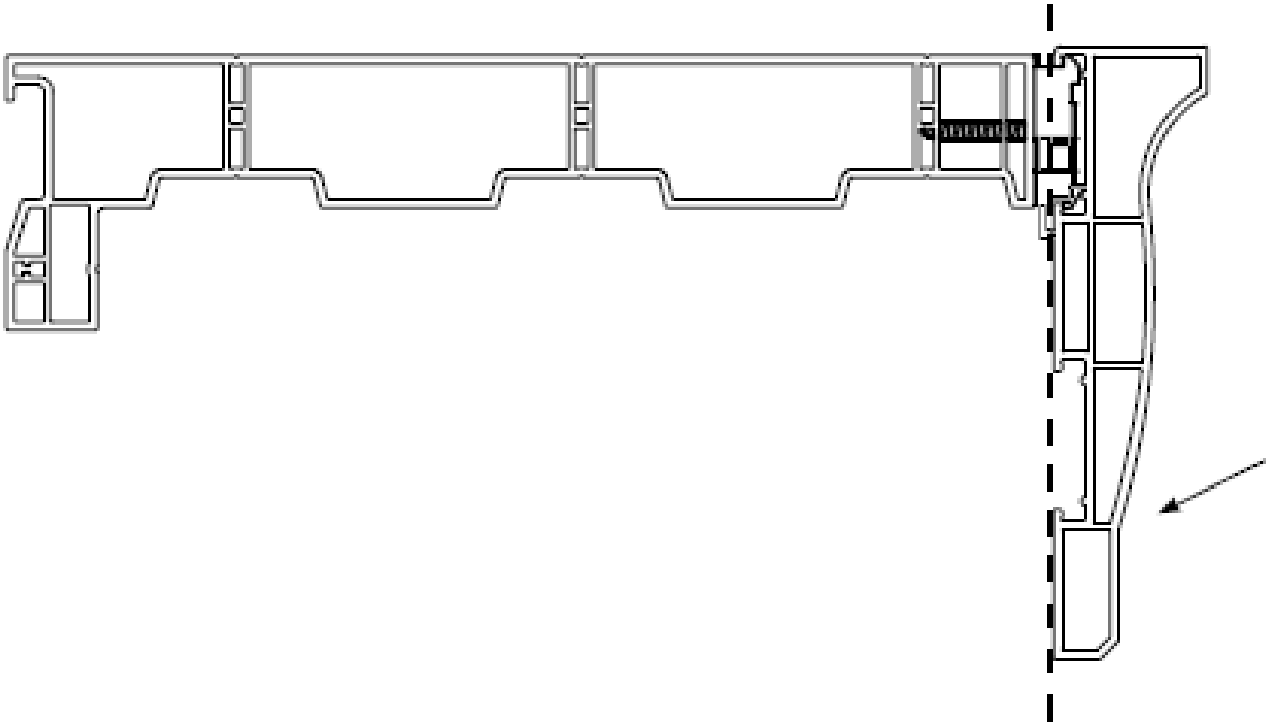
1. Attach valance brackets to the front of the frame. Brackets should be 152mm from each end of the frame and spaced no more than 457mm apart.



2. Once all brackets are secure, position the channel on the back of the valance so that it rests on the bracket. The valance will need to be on a 45 degree angle (the bottom of the valance farther into the room).

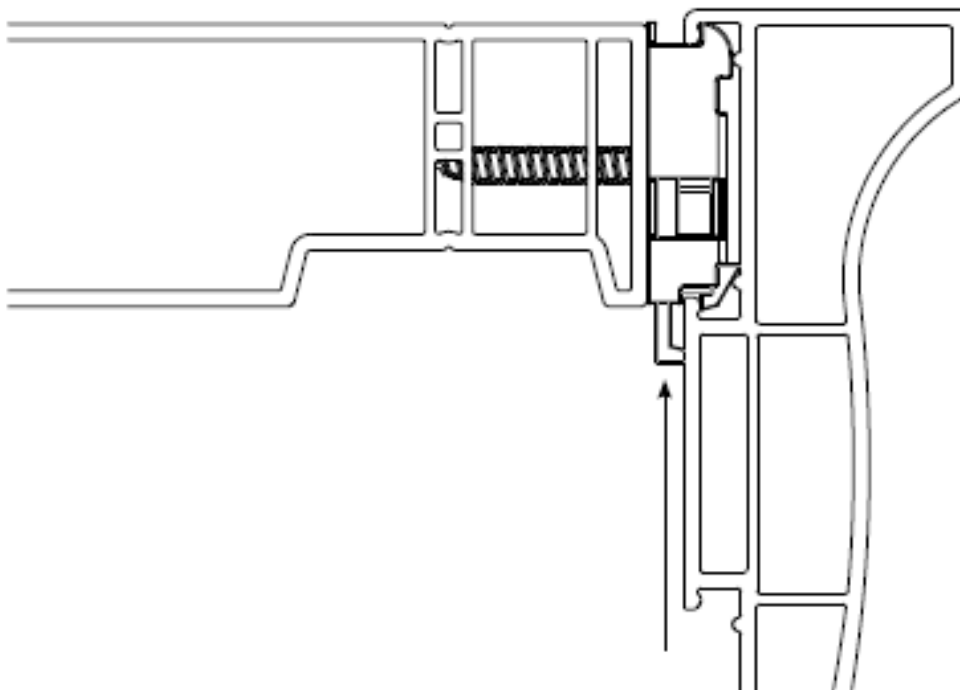


3. Rotate the bottom of the valance down and back to a vertical orientation until



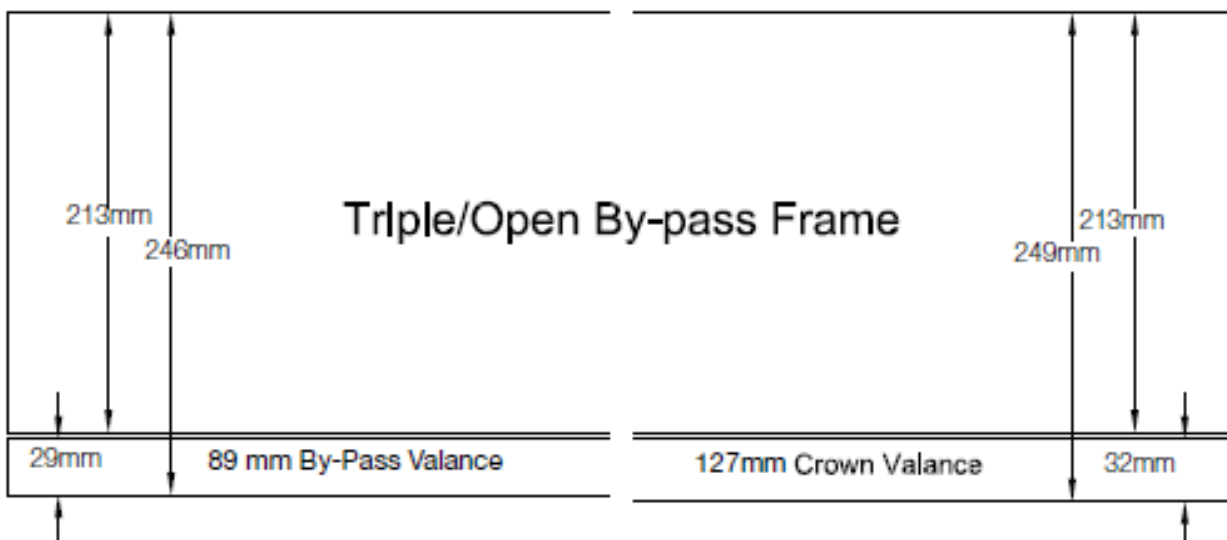
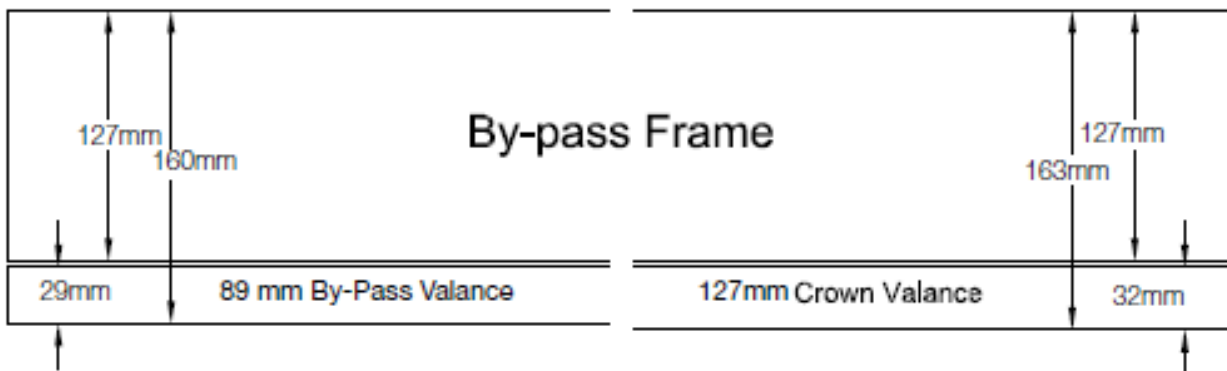
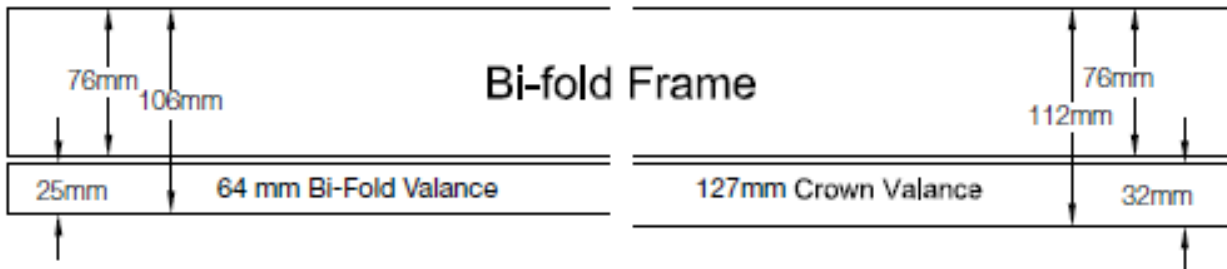
locked into all brackets.

4. To remove the valance, use a flat head screwdriver or similar, push up on the plastic tab located at the bottom of the valance bracket. Repeat this for each bracket while holding the valance. Once all brackets are released, rotate the valance up and out to remove.

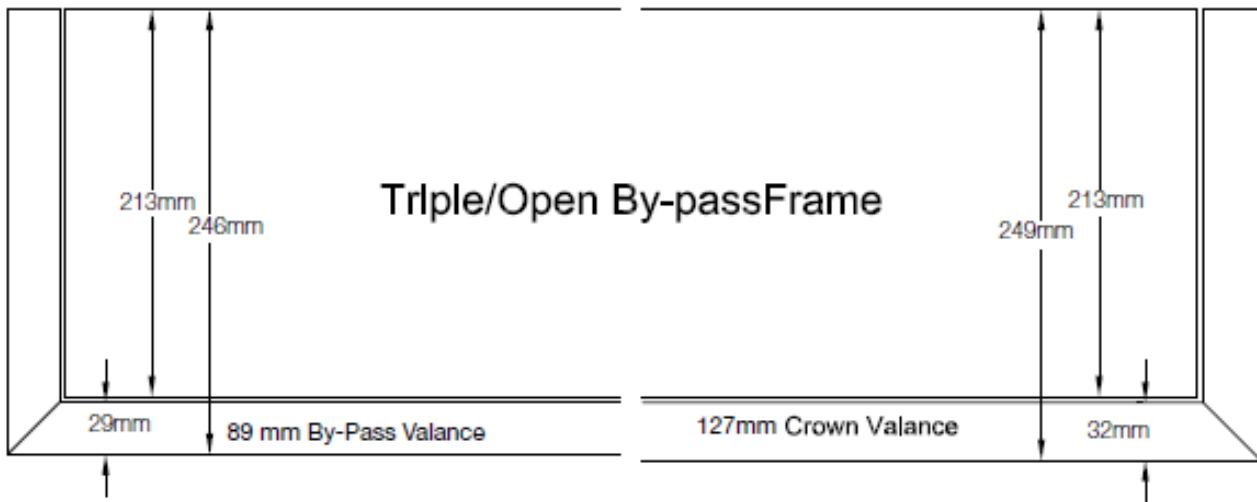
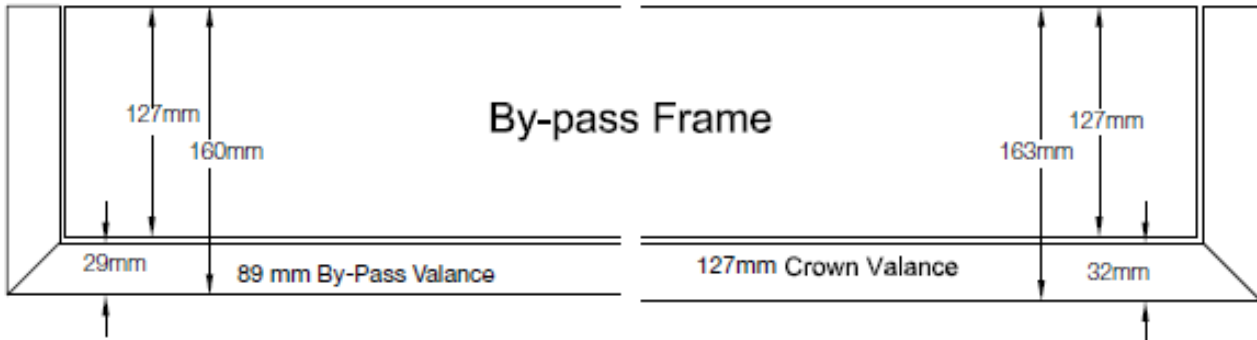


# VALANCE RETURN OPTIONS

RECESS MOUNT  
FULLY RECESSED FRAME - SQUARE CUT VALANCE



FACE MOUNT  
STANDARD FULL LENGTH VALANCE RETURNS



# INSTALLATION REVEAL MOUNT WITH NO FRAME

## 1. INSTALL TOP HINGE

- Starting with the left panel(s), place panel into opening.
- Position the panel so it has equal clearance at the top and bottom. Make a pencil mark under the top hinge.
- Install one screw into the window jamb hinge that goes below the top hinge.
- Check to see if the position is accurate by placing the panel into the opening. Insert the top hinge pin into the panel and jamb. If accurate, remove the panel and insert the second screw into the top hinge on the jamb.

## 2. INSTALL BOTTOM HINGE

- Place the panel into position by inserting the top hinge pin into the panel and jamb hinge.
- Mark the jamb where the bottom of the lowest hinge is on the panel.
- Install one screw into the window jamb hinge that goes below the bottom hinge.
- Check if position is accurate by installing the panel from the top and bottom hinges.
- Shim using available hinge shims if necessary.

## 3. LEVEL PANELS

- If more panels are to be installed, repeat the first two processes by lining up the panel as the main concern.
- If minor support or levelling is required, turn adjustable jamb cap at the bottom of the vertical jamb to the required spot (if used).

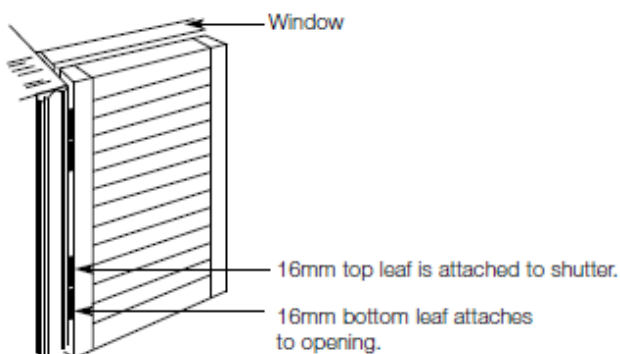
## 4. INSTALL REMAINING HINGES

- Once panels are level, install the remaining panel hinges while the panels are hanging. Simply open the panels, insert the hinge pin into the hinges and screw the hinges into the window jambs.
- Shim using available hinge shims if necessary.

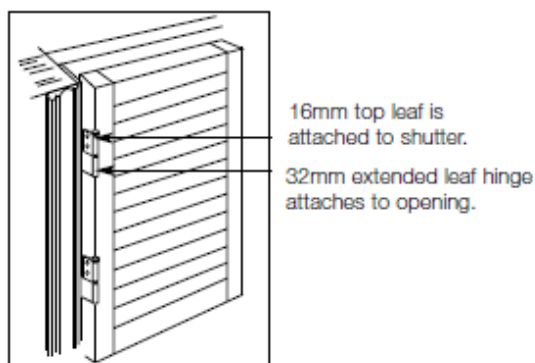
## 5. INSTALL MAGNETS AND PLATES

- See previous pages on installation of magnets and plates

REVEAL MOUNT (NO FRAME FLUSH WITH OPENING)

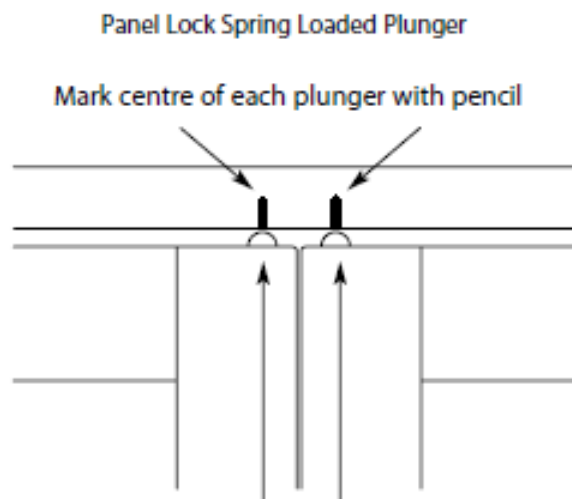
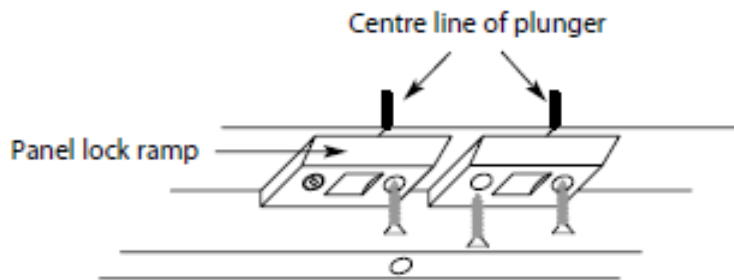


REVEAL MOUNT WITH EXTENDED LEAF HINGE



Note: The extra length allows for 16mm maximum adjustment, thus minimising required clearance.

# INSTALLATION PANEL LOCK RAMP INSTALLATION FOR WHEN NO FRAME ORDERED (DOES NOT APPLY IF A FRAME IS ORDERED)

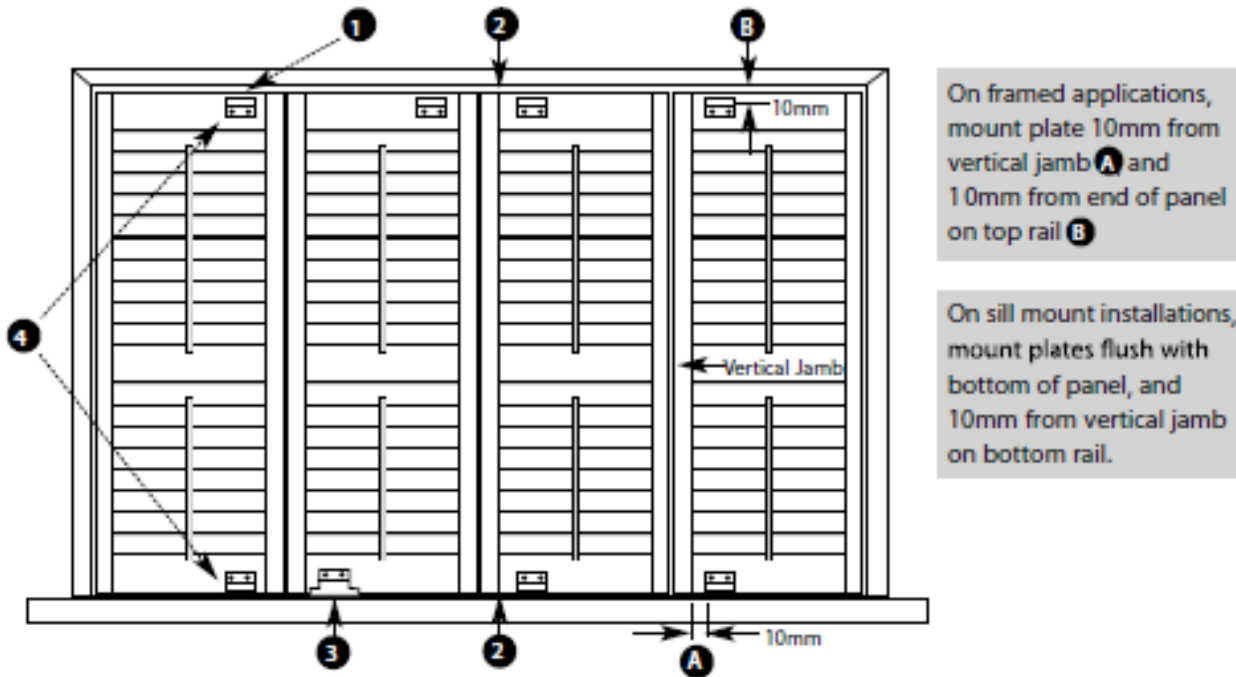


## PROCEDURE

1. The Panel Lock Cap Assembly will be installed during fabrication.
2. Once the shutter and panels have been installed, make a mark on the frame with a pencil to show where the centre of the Panel Lock Plunger is located.
3. Open the panel(s)
4. Place the Panel Lock Ramp on the frame with the back of the Ramp against the light block portion of the frame.
5. Centre the ramp on the line marking the plunger location.
6. Mark the centre of each screw hole of each Ramp.
7. Remove the Ramps and drill a pilot hole for each screw using a 3mm drill bit.
8. Place the Ramp back on the frame and set the screws. (Repeat as necessary)
9. Operate the panel(s) to ensure proper function and closure.
10. The Panel Lock Plunger can be adjusted by using a flat clockwise to thread the plunger into the panel or rotate the plunger counter clockwise to extend the plunger.



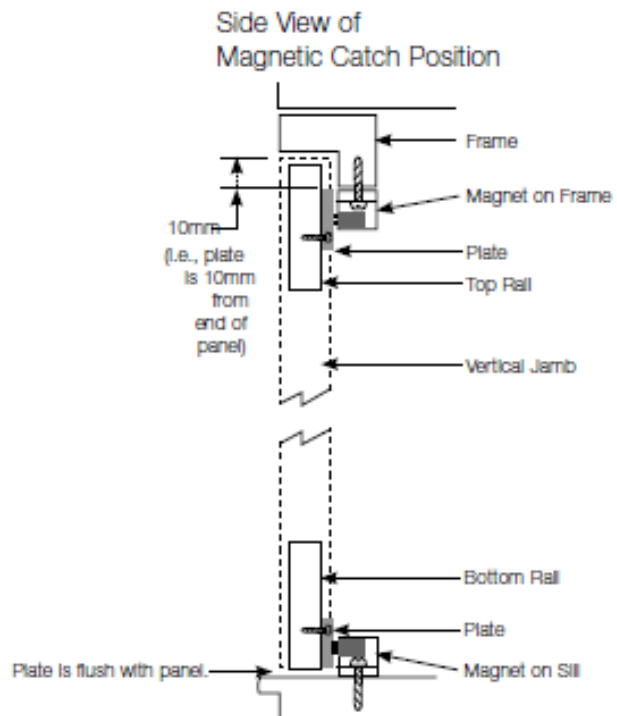
# INSTALLATION MAGNETIC CATCH PLACEMENT



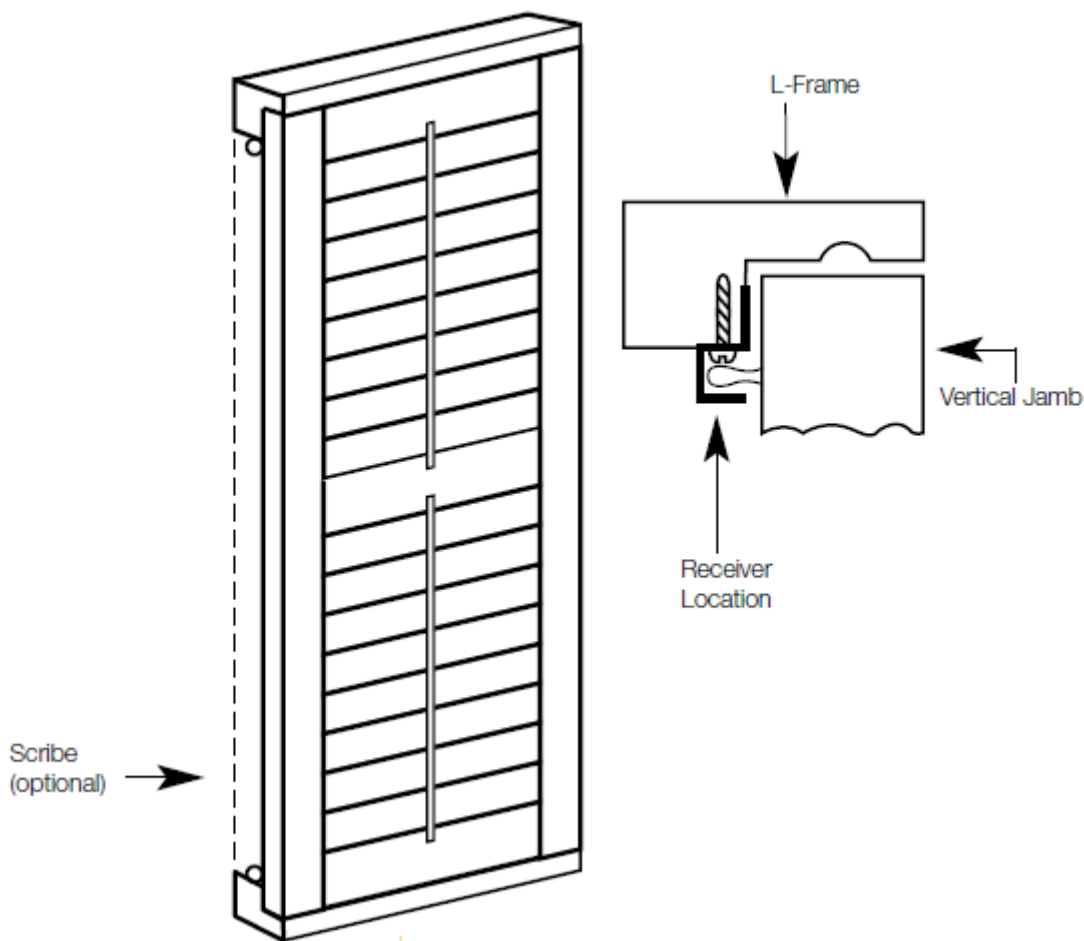
Note: All magnets and catches must be installed. Mount magnets on frames. When there is no frame, mount magnets on window sill or jamb. Receiver plate mounts on bottom and top cross rails. Magnets & Catches will not be used if the panel lock has been installed.

## PROCEDURE

1. Install plate, as shown on drawing, with the holes towards the centre of panel
2. With panels closed, pencil mark the sill or frame where the vertical jamb meets the top or bottom rail
3. Install magnet from the mark toward the inside of the panel
4. Install two magnets and plates per panel



# INSTALLATION CATCH RECEIVER INSTALLATION



Optional Scribe may be glued on the side or Mounting Strip may be screwed on the back of the panel to minimise or eliminate any side gap that is created when using catch receivers.

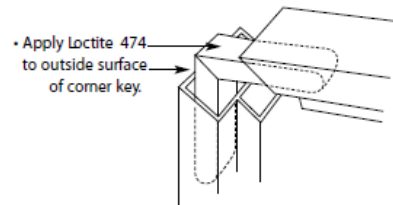
## PROCEDURE

1. Install bottom frame
2. Place panel on bottom frame
3. Mark location of top frame
4. Remove panel
5. Install top frame
6. Install each receiver 22mm from the edge of each frame
7. Insert catch into the receiver so the screw is sticking out into the room
8. Carefully place the panel into position
9. Press the panel against the screws to indent the panel
10. Remove the panel
11. Remove catches from the receivers
12. Screw the catches into the indent on the panel
13. Place the panel into position, lining up catch and receiver
14. Tap panel front until catch goes into receiver at each corner

# INSTALLATION FRAME ASSEMBLY FOR 3 OR 4 SIDED FRAMES

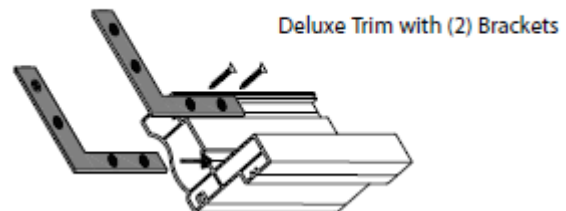
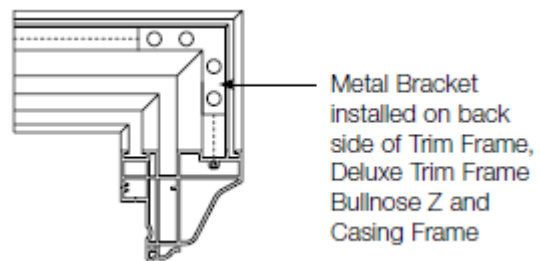
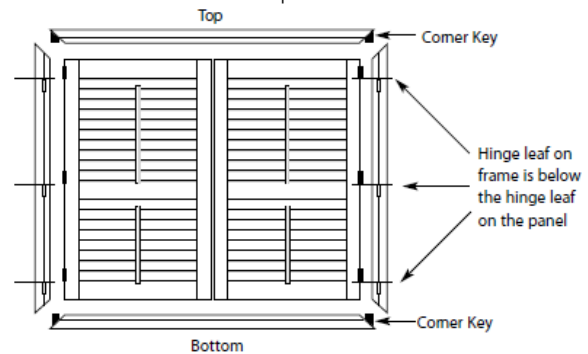
## GLUING CORNER KEYS

- Apply Loctite 474 (or Contact Cement) to outside surface of corner key.
- Frame over corner key. Hold firmly until it is set (10 to 20 seconds).



## ASSEMBLY

- Lay side frames beside the panels, (Ensure the “Left and Right” frames are on the correct sides.
- Insert the plastic corner keys on the top and bottom frames first.
- Slide the top and bottom frames into the side frames (For Recess Mounts the Corner Keys will “Snap into Place”, but Face Mounts will need to be glued). (Use a small amount of Loctite as it will be impossible to separate them if they have set).
- If minor gaps appear, use Caulk to seal the corners.
- For Deluxe Frames and Trim Frames, install a 90-degree metal bracket at the back of the frames, to give a tight, and more secure assembly.
- If extensions are used:
  - a) L-Frame Extension slides onto the back of the L-Frame



**Note:** For Bullnose Z, Deluxe Trim, and Trim frames, in addition to the corner key, install a 64mm x 64mm x 12mm 90° metal bracket for a more secure corner assembly (do not glue).

# T-POST INSTALLATION

## 1. T-POSTS

- T-Posts are used as a divider to hinge single or bi-fold panels when openings are too wide to hinge panels from the side. T-Posts can be placed directly in front of any existing window mullion.

## 2. IF MOUNTING DIRECTLY TO THE WINDOW MULLIONS

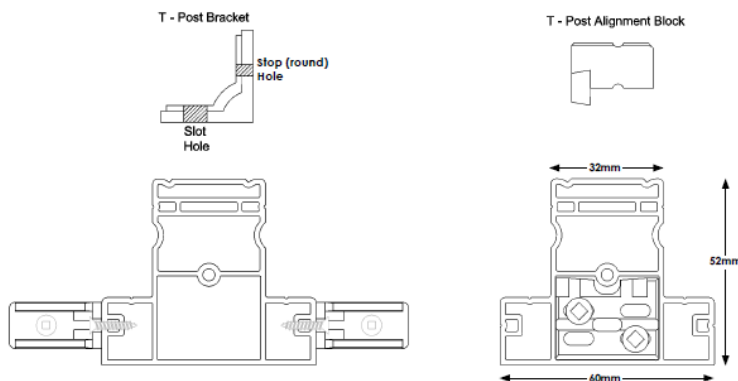
- Drill 10mm holes through the first layer of polyresin at the front face of the T-Post. Start approximately 50mm from the top and drill hole approximately every 300mm.
- Secure the T-Post by screwing in the top and bottom holes.
- Hang panels to the T-Post or hang panels side-by-side against T-Post to ensure eve sight lines and all is level.
- Screw in the remainder of the holes.
- Cap with button plugs.

## 3. IF MOUNTING USING L-BRACKETS

- Attach 4 L-Brackets to each T-Post. Use the stop (round) hole at the top left and bottom right, and the Slot (oval) hole top right and bottom left. Ensure that brackets are placed at the back side of the T-Post so that the bracket screw goes through the screw post in the T-Post. The stop hole is positioned at the top left and bottom right side.
- Screw top right and bottom left brackets (slotted holes) to the frame, centre the screws in the middle of each slot. This will allow some movement for levelling purposes.
- Hang panels and adjust T-Post positioning until sight lines and levelling is achieved.
- Lock T-Post into position by setting screws through the stop holes in the other two L-Brackets.

## 4. IF MOUNTING USING ALIGNMENT BLOCKS

- Stack two T Post Alignment Blocks.
- Position on the frame so that the holes in the blocks are lined up with the pre-drilled holes in the bottom frame.
- Using #6 x 44mm screws, attach the blocks to the frame.
- Repeat for the top frame.
- Assemble frame.
- After the frame is installed and the position of the T Post is determined, set a #8 x 38mm installation screw horizontally through the pre-drilled hole in the side of the T Post at the bottom.
- Repeat the above step and cover holes with button plugs.



# T-POSTS INSTALLATION ALIGNMENT BLOCK WITH 3-SIDED FRAME MOUNTING ON WINDOW SILL

## 1. ATTACH T-POST BLOCKS TO FRAME

- Stack two T Post Alignment Blocks, both with the tabs facing down.
- Lay out the top frame so that the light block is facing up.
- Two holes have been pre-drilled diagonally in the face of the top frame at each T-Post location.
- Position the stacked blocks on the light block portion of the frame so that the holes in the block align with the pre-drilled holes in the frame. (The tabs will hang off the edge of the light block.)
- Using (2) #6 x 44mm T Post block screws, attach the blocks to the frame. Do not completely tighten the screws down, only make them snug. This will allow some side-to-side adjustment of the T Post

## 2. ASSEMBLE FRAME AND T-POST

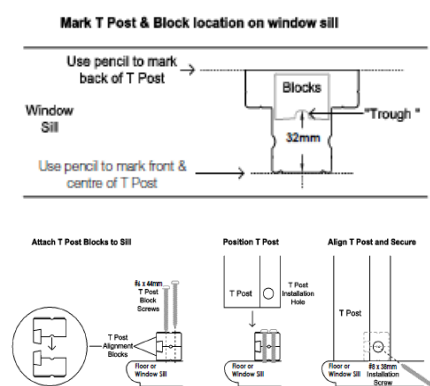
- Insert the corner keys into the top frame.
- Attach the left side frame to the top frame.
- Attach the right side frame to the top frame.
- Attach T Post to the top frame by sliding the T-Post over the blocks on the top frame.

## 3. BEGIN INSTALLING THE SHUTTER

- Begin by installing the shutter as a standard 3-sided frame but install only the top screw on each side frame and one bottom screw if necessary.
- Test the fit and position of the panels to determine the location of the T Post.
- Mark the front and centre of the T Post with a pencil on the sill.
- Mark the back of the T Post with a pencil on the sill.
- Remove the panels and the frame.
- Stack two T Post Alignment Blocks, one with the tab facing up and one with the tab facing down (as pictured below).
- Attach two stacked T Post blocks to the sill so that the back of the "trough" of the block is 32mm from the front centre mark of the T Post.
- Use (2) #6 x 44mm T Post Block Screws to attach the blocks to the sill. Do not fully tighten the screws - they should only be snug.
- Set the assembled frame back in the opening making sure the bottom of the T Post slides over the blocks on the sill.
- Finish installing the frame and then hang the panels.

## 4. ALIGN T-POST AND SECURE

- Determine the side-to-side position of the T-Post, then drive a #8 x 38mm installation screw horizontally through the hole in the end of the T Post.
- The screw will then pass between the (2) T-Post Blocks, thus locking the T-Post into position.
- Repeat for the top of the T Post and cap installation holes with button covers.



# T-POST INSTALLATION ALIGNMENT BLOCK WITH 4-SIDED FRAME

## 1. ATTACH T-POST BLOCKS TO FRAME

- Stack two T Post Alignment Blocks, both with the tabs facing down.
- Lay out the top frame so that the light block is facing up.
- Two holes have been pre-drilled diagonally in the face of the top frame at each T Post location.
- Position the stacked blocks on the light block portion of the frame so that the holes in the block align with the pre-drilled holes in the frame. (The tabs will hang off the edge of the light block.)
- Using (2) #6 x 44mm T Post block screws, attach the blocks to the frame. Do not completely tighten the screws down, only make them snug. This will allow some side-to-side adjustment of the T Post.
- Repeat the above steps for the top frame.

## 2. ASSEMBLE FRAME AND T-POST

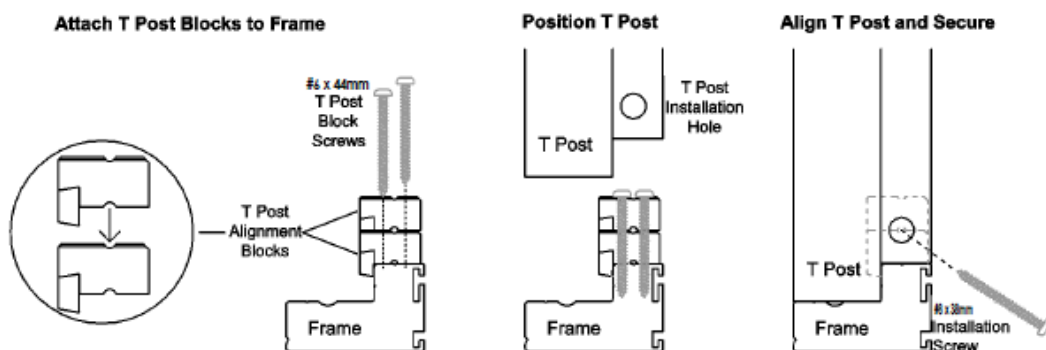
- Insert the corner keys into the top frame.
- Attach the left side frame to the top frame.
- Attach the right side frame to the top frame.
- Attach T Post to the top frame by sliding the T-Post over the blocks on the bottom frame.
- Attach the top frame. Make sure the corner keys in each end of the top frame align with the corner key cavities in the side frames. At the same time make sure the T Post is positioned on the blocks attached to the top frame.

## 3. INSTALL THE SHUTTER

- Follow standard instructions for installing the frame.
- Test the fit and position of the panels to determine the location of the T Post.
- Mark the position of the T Post on the frame with a pencil.
- Remove the panels

## 4. ALIGN T-POST AND SECURE

- With the bottom of the T Post in the desired position, drive a #8 x 38mm installation screw horizontally through the hole in the end of the T Post.
- The screw will then pass between the (2) T-Post Blocks, thus locking the T Post into position.
- Repeat for the top of the T Post and cap installation holes with button covers.



# RECESS/INSIDE FIT MOUNT INSTALLATION WITH L-FRAME

## 1. ASSEMBLE FRAMES

- See relevant frame assembly pages

## 2. PLACE FRAME IN OPENING

- The top part of the frame is indicated by a greater amount of distance from the top of the top hinge to the edge of the frame. The label will indicate left and right side.

## 3. FASTEN FRAME

- Drill 10mm holes through the first layer and in line with the top of each frame hinge.
- Insert a screw in both the left and right top side frame holes. Centre the frame in the opening, then drill the screws into the jambs. If the screw is not in enough, the opening will be smaller than ordered. If the screw is in too far, the opening will be larger than ordered.

## 4. HANG PANELS

- With upper and lower hinge pins only.

## 5. SQUARE/LEVEL PANELS TO THE OPENING

- Move bottom frame left or right until the panels are level. If this does not work, then:
  - Move left frame up or down until the panels are level. If this does not work, then:
  - Move right frame up or down until the panels are level.
- When the panels are level within the frame, hold bottom frame in position and place a screw in the middle bottom frame hole.

## 6. FASTEN REMAINING SCREWS

- Insert screws in the remaining holes and check to ensure panels are level after every screw has been drilled into position.

## 7. INSTALL MAGNETS AND PLATES OR RAMPS (if applicable)

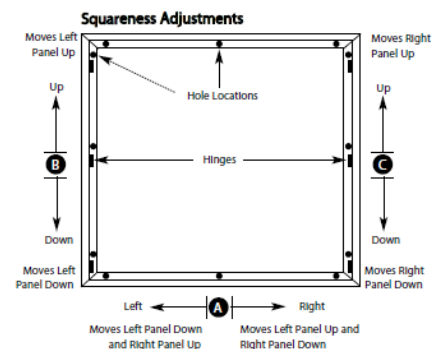
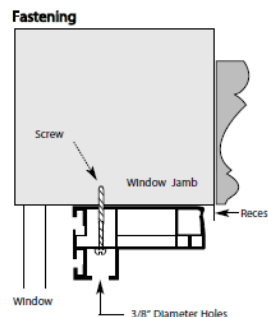
- See previous pages for instructions.

## 8. CAP INSTALLATION HOLES

- Once all screws have been installed and panels checked for levelness, cap all holes with the provided button plugs.

## 9. CLOSE ANY GAPS

- With either L-Frame Cover Strip, which is glued to the front face of the frame, or with caulking.



# RECESS/INSIDE FIT MOUNT INSTALLATION WITH D, T, BULLNOSE Z OR Z-FRAMES

## 1. ASSEMBLE FRAMES

- See relevant frame assembly pages

## 2. PLACE FRAME IN OPENING

- The top part of the frame is indicated by a greater amount of distance from the top of the top hinge to the edge of the frame. The label will indicate left and right side.

## 3. FASTEN FRAME

- Drill 10mm holes through the first layer and in line with the top of the hinges on the frame.
- Insert a screw in both the left and right top side frame holes. Centre the frame in the opening, then drill the screws into the jambs. Ensure the screw head is deep within the hole, but do not distort the frame.

## 4. HANG PANELS

- With upper and lower hinge pins only.

## 5. SQUARE/LEVEL PANELS TO THE OPENING

- Move bottom frame left or right until the panels are level (A). If this does not work, then:
- Move left frame up or down until the panels are level (B). If this does not work, then:
- Move right frame up or down until the panels are level (C).
- When the panels are level within the frame, pull the bottom frame fully to one side and insert screw into the opposite bottom corner. Continue to use this screw to adjust the frame until the panels are once again level.

## 6. FASTEN REMAINING SCREWS

- Insert screws in the remaining holes and check to ensure panels are level after every screw has been drilled into position.

## 7. INSTALL MAGNETS AND PLATES OR RAMPS (if applicable)

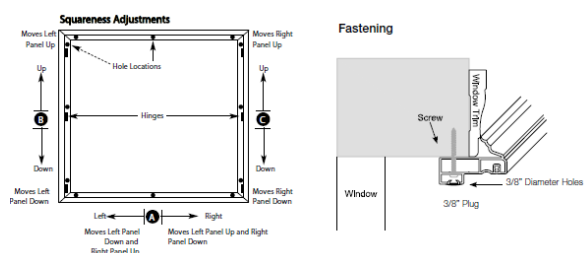
- See previous pages for instructions

## 8. CAP INSTALLATION HOLES

- Once all screws have been installed and panels checked for levelness, cap all holes with the provided button plugs.

## 9. CLOSE ANY GAPS

- For gaps that may occur at frame corners or around frame, apply Caulk as needed.





# REVEAL/INSIDE FIT MOUNT INSTALLATION AND FACE MOUNT WITH MOUNTING STRIP

## 1. DRILL INSTALLATION HOLES

- 10mm diameter holes must be drilled at each hinge.

## 2. PLACE SIDE FRAME IN OPENING

- The top part of the frame is indicated by a greater amount of distance from the top of the top hinge to the edge of the frame. The label will indicate left and right side.

## 3. FASTEN SIDE FRAME

- Insert a screw inside the top holes first, followed by the bottom ones, keeping the panels plumb.

## 4. HANG PANELS

- With upper and lower hinge pins only.

## 5. SQUARE/LEVEL PANELS TO THE OPENING

- Adjust the bent-leaf hinges, if necessary, by loosening the hinge screws and moving the hinge left or right.
- Re-tighten hinge screws once level.

## 6. FASTEN REMAINING SCREWS

- Insert screws in the remaining holes and check to ensure panels are level after every screw has been screwed into position.

## 7. FASTEN TOP AND BOTTOM FRAME

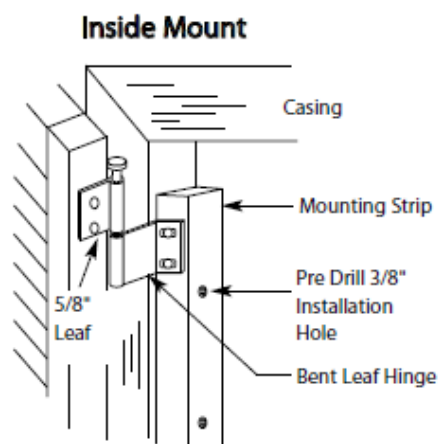
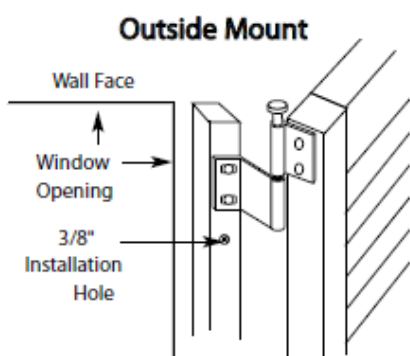
- Drill 10mm hole.
- Centre and insert screws.

## 8. CAP INSTALLATION HOLES

- Once all screws have been installed and panels checked for level, cap all holes with the provided button plugs.

## 9. INSTALL MAGNETS AND PLATES

- See previous pages for instructions



# FACE/OUTSIDE FIT MOUNT INSTALLATION WITH L-FRAME

## 1. ASSEMBLE FRAMES

- See relevant frame assembly pages
- Corner key for outside mount L-Frames must be glued in place.

## 2. HOLD FRAME ON OPENING

- The top part of the frame is indicated by a greater amount of distance from the top of the top hinge to the edge of the frame. The label will indicate left and right side.

## 3. FASTEN FRAME

- Insert a screw in both the left and right top side frame holes as level as possible.

## 4. HANG PANELS

- With upper and lower hinge pins only.

## 5. SQUARE/LEVEL PANELS TO THE OPENING

- Move bottom frame left or right until the panels are level (A). If this does not work, then:
- Move left frame up or down until the panels are level (B). If this does not work, then:
- Move right frame up or down until the panels are level (C).
- When the panels are level within the frame, hold bottom frame in position and place a screw in the middle bottom frame hole.

## 6. FASTEN REMAINING SCREWS

- Insert screws in the remaining holes and check to ensure panels are level after every screw has been screwed into position.

## 7. INSTALL MAGNETS AND PLATES OR RAMPS (if applicable)

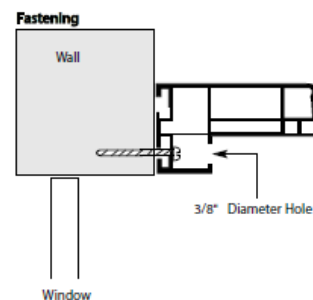
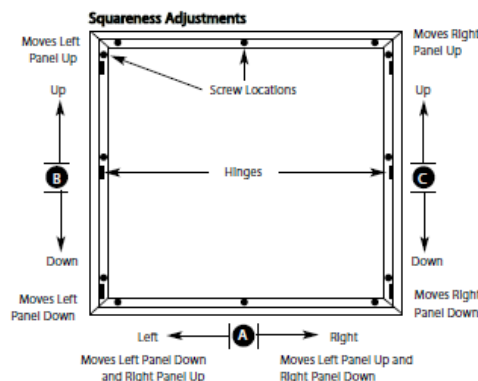
- See previous pages for instructions.

## 8. CAP INSTALLATION HOLES

- Once all screws have been installed and panels checked for level, cap all holes with the provided button plugs.

## 9. CLOSE ANY GAPS

- For gaps that may occur at frame corners or around frame, apply Caulk as needed



# FRENCH DOOR SHUTTERS WITH NO CUT-OUTS

## 2 SIDED FRAME (TOP & BOTTOM)

### 1 FRAME ASSEMBLY

- No frame assembly required.

### 2 FRAME & CATCH RECEIVER INSTALLATION

- Partially set an installation screw into the bottom frame.
- Set the bottom frame on the door below the glass to determine proper position of the frame and mark the position with a pencil.
- Make sure the bottom frame is level and positioned left and right so the panel will not interfere with the door knob.
- Attach the bottom frame.
- Carefully set the panel on the bottom frame and locate the position of the top frame. Then mark this location and remove panel.
- Begin attaching the top frame making sure it is level and aligned properly with the bottom frame.
- Install button plugs once all screws have been set.
- Install each receiver 22mm from the edge of each frame
- Insert catch into the receiver so the screw is sticking out into the room
- Carefully place the panel into position
- Press the panel against the screws to indent the panel
- Remove the panel
- Remove catches from the receivers
- Screw the catches into the indent on the panel
- Place the panel into position, lining up catch and receiver
- Tap panel front until catch goes into receiver at each corner

### 3 AND 4 SIDED FRAME

#### 1 FRAME ASSEMBLY

- Remove lock tabs from the supplier corner keys, then glue into each mitered corner. Allow the glue to set before installing the frame.
- For 3 sided frame, glue frame caps onto the straight cut ends of the top and bottom frames, if not already done.

#### 2 FRAME INSTALLATION (3 SIDED FRAME)

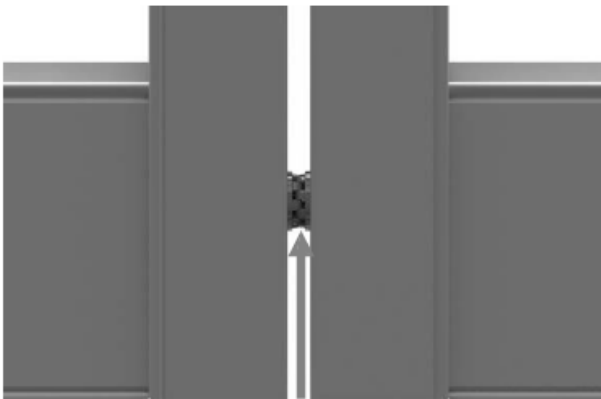
- Partially set an installation screw in the top hinge side frame.
- Set the frame against the door to check position of the frame and the alignment of the shutter to the glass and the door knob. Note: Care should be taken when handling the frame since the corners are only glued together.
- Set the top and bottom screws of the hinge side frame making sure the frame is plumb.
- Hang the panel and then move the bottom frame into proper position. Open or remove panel, then set installation screws to secure bottom frame.
- Repeat the above step for the top frame.
- If panel locks are being used, ensure there is sufficient engagement between the frame and panel so the panel will not open while the door is being opened or closed.
- Install button plugs once all screws have been set.

#### 3 FRAME INSTALLATION (4 SIDED FRAME)

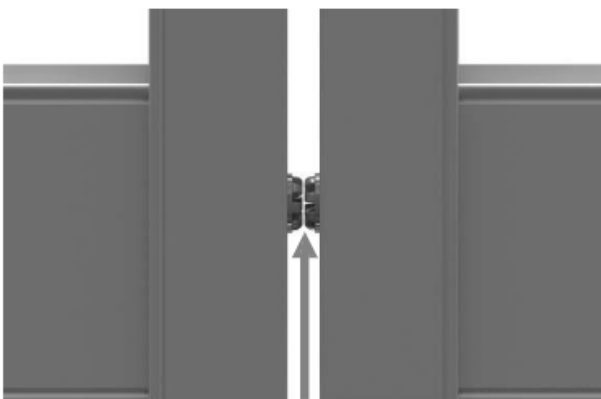
- Installation of a 4 sided French Door shutter is the same as installing a standard outside mount shutter.
- The key is to make sure the frame is located properly around the glass while leaving enough room to operate the door knob. If this is not possible, then a different shutter configuration is required.

# INSTALLATION OF POWERVIEW SHUTTERS

Installation of shutters with PowerView does not differ from standard shutters. It is critical to make sure that coupled panels are installed evenly. The couplers must make full contact to work properly. If the shutters are not installed correctly, the motor panel will operate, and the non-motor panel will incur lag in louvre rotation or fail to operate. For additional information on installation, refer to the following sections; Installation for Standard



Couplers engaged correctly



Couplers not engaged – too much gap between panels



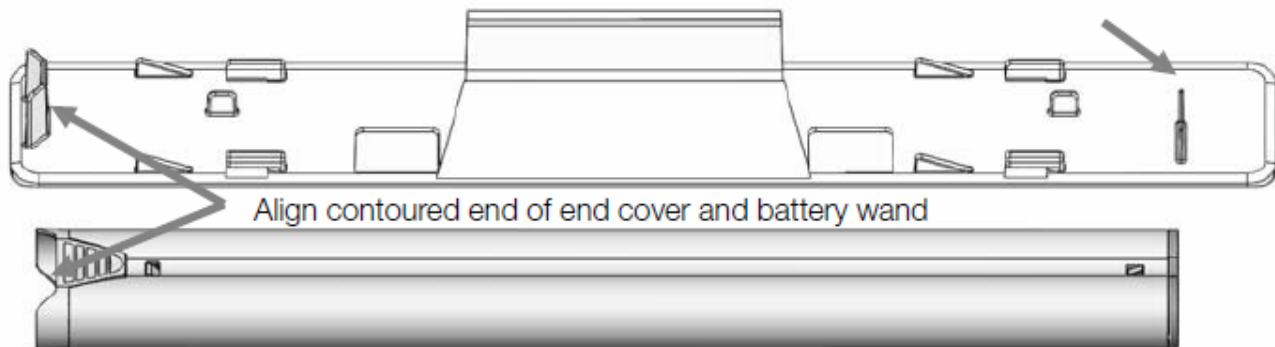
Coupler not engaged – panels not aligned vertically

## BATTERY ASSEMBLY INSTALLATION

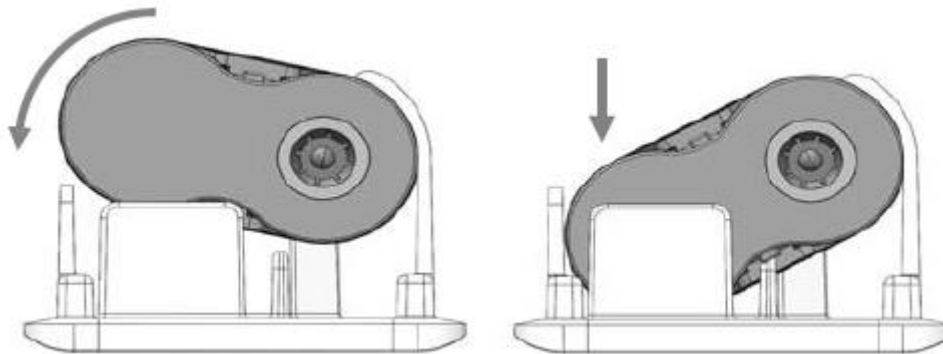
Battery assembly installation instructions

- 1 Lay the battery cover on a flat surface, face down with the contoured rib on the left
- 2 Orient the battery wand so the contoured end is on the left, the flat end is on the right and the clear window is facing down

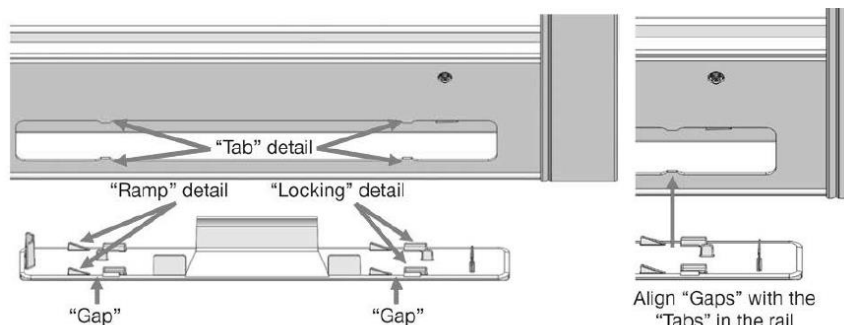
### Battery wire connection



- 3 Place the battery wand into the cover in the flat position
- 4 Rotate the battery wand forward so that it snaps in behind the two vertical wall



- 5 Plug the motor wire into the battery wand
- 6 Place the battery assembly in the routed hole in the rail
  - a) Make sure the wire is in the rail
  - b) The "lock" symbol on the face of the battery cover will be nearest the program button
  - c) There are four connection points, once one is aligned properly, all will be aligned
  - d) Align the gap between the "ramp" detail and the "locking" detail of the cover with the "tabs" in the rail
  - e) Slide the battery cover in the direction to lock, as indicated on the battery cover until it locks into place



Note: Above view is of a right hinge panel

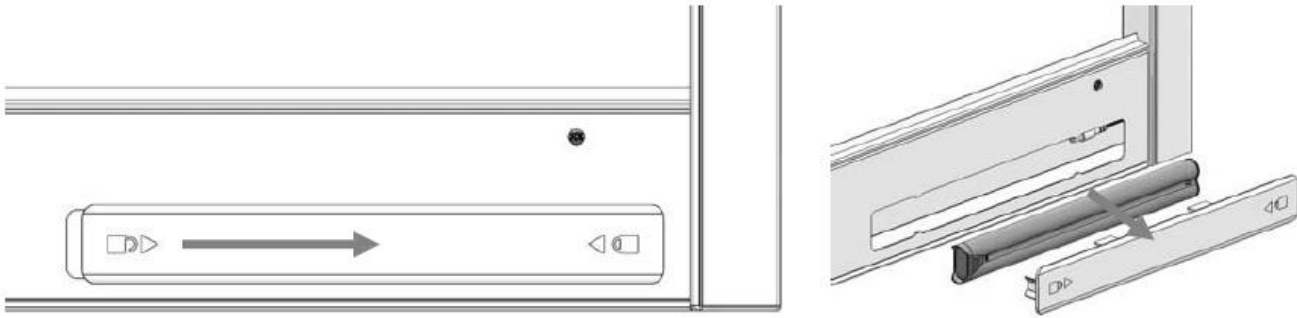
## BATTERY REPLACEMENT

### Low Battery Warning: Shutter Motor

The program button will blink 8 red blinks after each move until batteries are changed or power completely runs out.

### Replace batteries

1. Open the shutter panel to access the battery cover(s)
2. Slide the battery cover to unlock (slide towards the side of the panel with the program button), as indicated on the face of the battery cover, then rotate the battery cover with battery wand towards you



3. Disconnect the motor wire
4. Remove the battery wand from the battery cover
5. Pinch the tabs at the contoured end of the battery wand to release the end cap
6. Remove batteries
7. Install new batteries per the diagram on the clear housing
8. Reinstall end cap of battery wand
9. Follow battery assembly installation instructions
10. Slide the battery cover to lock (slide away from the side of the panel with the program button), as indicated on the face of the battery cover



Note: The above illustrations are of a right hinge panel, the cover will slide in the opposite direction on a left hinge panel.