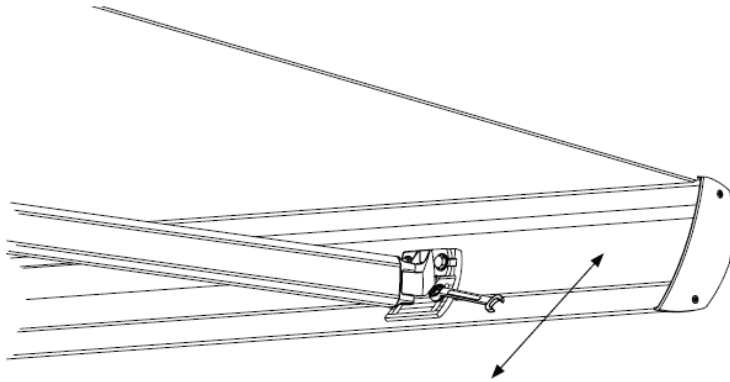


Kona Semi-Cassette Folding Arm Awnings

Adjustment of Front Profile



! Adjusting the front profile should always be a two man job for safety reasons.

To receive the correct position of the front profile, the front profile is adjusted as follows:

1. Roll out the awning until the fabric slackens. Mark position of bracket to ensure you maintain the bracket position sidewise
2. Unscrew the two bottom nuts on the adjustment bracket, holding the front profile.
(NOTE! Do not remove the nuts completely)
3. Move the front profile up or down until receiving the correct position when rolled in.
4. Fasten the screws.